

MOUNT SIDNEY WATER STORAGE TANK AUGUSTA COUNTY, VIRGINIA

PREPARED FOR:
Augusta Water
P.O. BOX 859
Verona, Virginia 24482

SHEET INDEX

G01	TITLE SHEET
C01	EXISTING CONDITIONS, DEMO, & PH1 E&SC
C02	SITE, GRADING, AND PH II E&SC
C03	TANK DETAILS (1 OF 3)
C04	TANK DETAILS (2 OF 3)
C05	TANK DETAILS (3 OF 3)
C06	VALVE SHED PLAN & SECTIONS
C07	VALVE SHED DETAILS
D01	E&S DETAILS
D02	STANDARD DETAILS

PROJECT IDENTIFICATION:
MOUNT SIDNEY WATER STORAGE TANK
188 SEAWRIGHT SPRINGS ROAD
MT SIDNEY, VA 24467
TAX PARCEL: TMP 27-70A
DEED BOOK REFERENCE INFORMATION: DB 550-589 (591 PLAT)
OWNER OF RECORD: AUGUSTA WATER d/b/a AUGUSTA COUNTY SERVICE AUTHORITY, A BODY CORPORATE AND POLITIC
ZONE: GENERAL AGRICULTURE
PUBLIC USE OVERLAY DISTRICT

PROJECT NARRATIVE:
THIS PROJECT CONSISTS OF CONSTRUCTION OF A 500,000 GALLON GROUND LEVEL WATER STORAGE TANK ON A SITE WITH AN EXISTING WATER STORAGE TANK. AFTER CONSTRUCTION THE EXISTING TANK WILL BE REMOVED. ALL WORK WILL TAKE PLACE ON TANK LOT. NO CHANGES WILL BE MADE TO THE ACCESS ENTRANCE OR PARKING AS NO NEW VEHICLE TRIPS WILL BE GENERATED POST CONSTRUCTION.

PROJECT IS EXPECTED TO DISTURB APPROXIMATELY 14,200 SQFT. CONSTRUCTION OF THE EXISTING TANK IN 1970 DISTURBED APPROXIMATELY 9,200 SQFT.

THIS PLAN SET DEALS WITH TANK CONSTRUCTION ONLY. GRADING, E&S, DEMOLITION AND VALVE SHED ARE SHOWN FOR REFERENCE.

- PROJECT NOTES:
1. NO GRAVES OR STRUCTURES MARKING A PLACE OF BURIAL WERE LOCATED
2. PROPERTY IS LOCATED IN FLOOD ZONE X, AREA OF MINIMAL FLOOD HAZARD

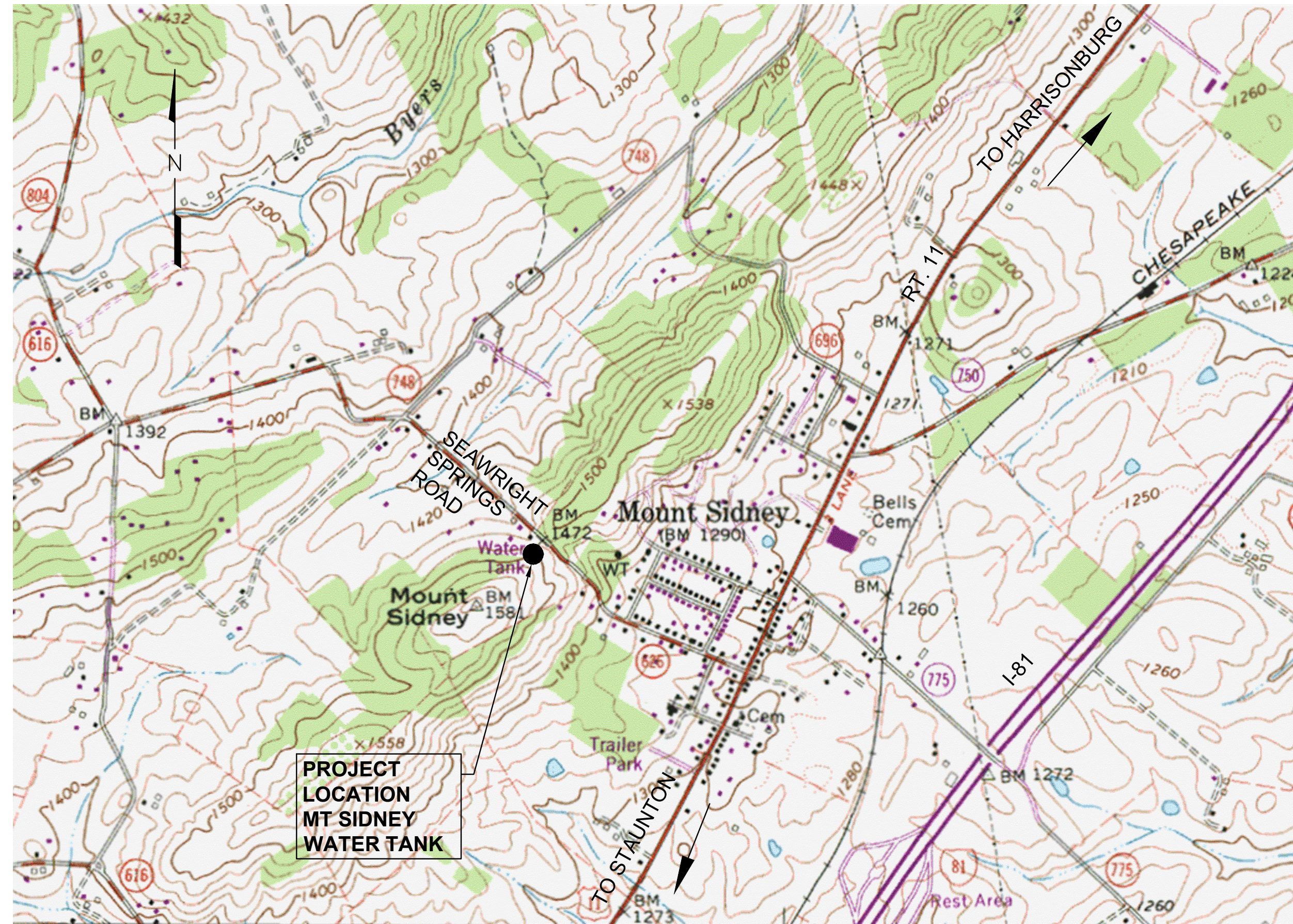
COUNTY APPROVAL	DATE
TITLE:	DATE
TITLE:	

EROSION CONTROL TABLE OF ESTIMATED QUANTITIES		
DESCRIPTION	QUANTITY	UNIT
SILT FENCE	225	LF
DIVERSION DIKE	140	LF
SOIL STABILIZATION BLANKETS AND MATTING	100	LF

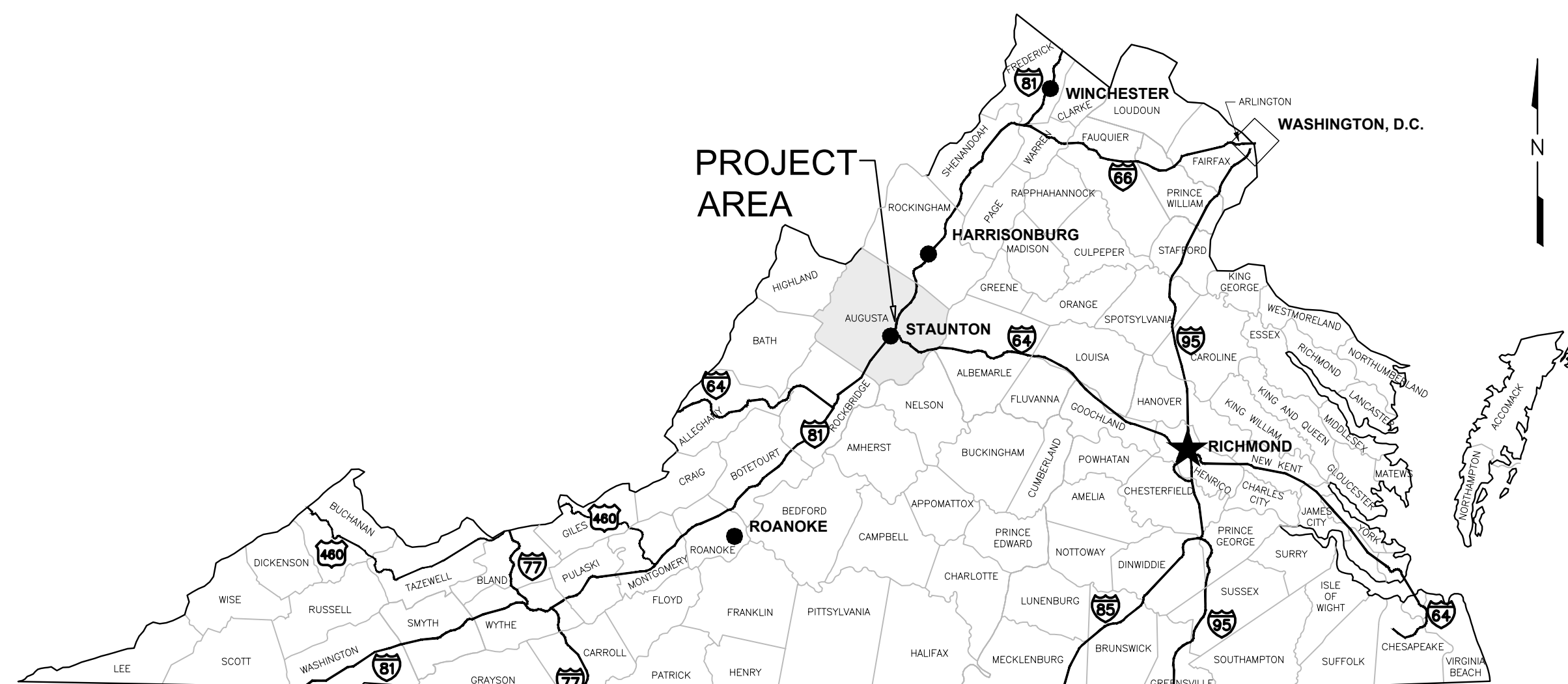
EROSION CONTROL LEGEND

NO.	TITLE	KEY	SYMBOL
3.05	SILT FENCE	(SF)	X X X X
3.09	DIVERSION DIKE	(DD)	→ → → →
3.31	TEMPORARY SEEDING	(TS)	(TS)
3.32	PERMANENT SEEDING	(PS)	(PS)
3.35	MULCHING	(MU)	(MU)
3.36	SOIL STABILIZATION BLANKETS	(BM)	(BM)

	EXISTING STRUCTURE
	EXISTING WATERLINE
	EXISTING CONTOURS
	EXISTING EDGE OF PAVEMENT
	EXISTING EDGE OF GRAVEL
	EXISTING FENCE
	EXISTING UTILITY POLE AND OVERHEAD ELECTRIC
	EXISTING DRAINAGE
	PROPOSED DRAINAGE
	LIMITS OF DISTURBANCE
	PROPERTY LINE
	PROPOSED STRUCTURE
	PROPOSED WATERLINE AND GATE VALVE
	PROPOSED DEMOLITION
	PROPOSED CONTOURS
	PROPOSED GRAVEL MIN 6" 21A



VICINITY MAP
SCALE: 1"=1000'



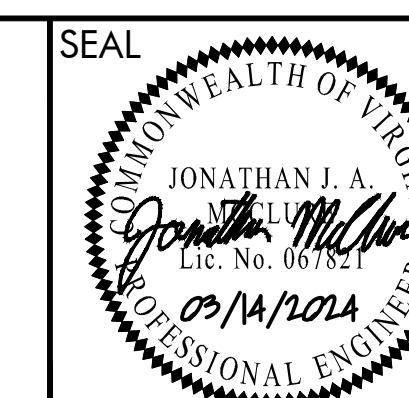
LOCATION MAP
N.T.S.

Peed & Bortz, L.L.C.
CIVIL & ENVIRONMENTAL ENGINEERS
20 MIDWAY PLAZA DRIVE - SUITE 100
CHRISTIANSBURG, VIRGINIA 24073
PHONE: (540) 394 - 3214 FAX: (540) 394 - 3215

MOUNT SIDNEY WATER STORAGE TANK

AUGUSTA COUNTY

VIRGINIA



DRAWN BY:
JJM
REVIEW BY:
SMB
DATE:
14 MAR 2024
REVISION:

SHEET DESCRIPTION:
TITLE SHEET

G01

TMP 27-68H
 Gatewood Mark W Orbetty J
 3.00 AC
 Zoned GA

TMP 27-70A
 Augusta County Service Authority
 0.799 Acres
 Zoned GA

POINT TABLE

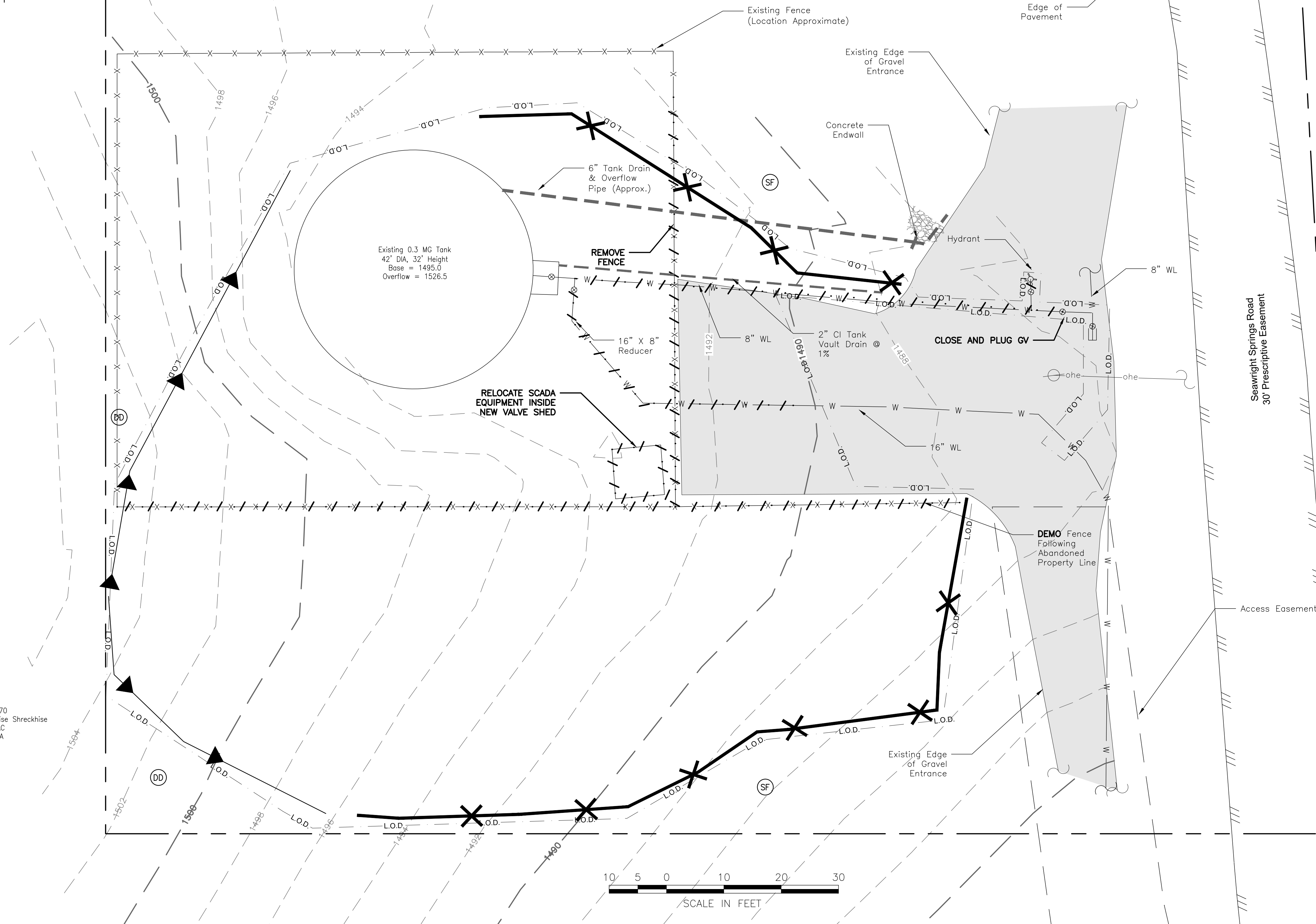
POINT NUMBER	POINT DESCRIPTION	NORTHING	EASTING
1	PARCEL CORNER	6778277.44	11348817.84
2	PARCEL CORNER	6778145.14	11348914.76
3	PARCEL CORNER	6778273.21	11349089.57
4	PARCEL CORNER	6778317.3200	11349053.33
5	PARCEL CORNER	6778400.13	11348985.31
6	SHED CORNER	6778257.67	11348979.97
7	SHED CORNER	6778241.53	11348991.79
8	SHED CORNER	6778229.71	11348975.65
9	SHED CORNER	6778245.8500	11348963.8300
10	TANK CENTER	6778210.53	11348932.58

- GENERAL NOTES:**
- BY CONVENTION EXISTING FEATURES ARE LABELED IN "Title Case" AND PROPOSED FEATURES ARE LABELED IN UPPER CASE
 - TOTAL DISTURBED PROJECT AREA = 14,200 SQFT

- TANK DIVISION NOTES:**
- ALL WORK ON THIS SHEET TO BE PERFORMED BY OTHERS. REFER TO SHEET C02 FOR LIMITS OF TANK DIVISION WORK.

TMP 27-70
 Diann S. Holt & Denise Shreckhise
 17.082 AC
 Zoned GA

TMP 27-74
 SMITH GAIL N
 8.62 AC
 Zoned GA

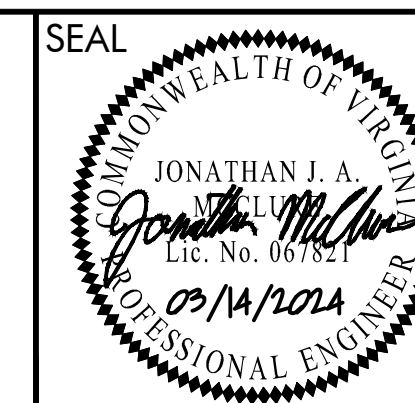


Peed & Bortz, L.L.C.
 CIVIL & ENVIRONMENTAL ENGINEERS
 20 MIDWAY PLAZA DRIVE - SUITE 100
 CHRISTIANSBURG, VIRGINIA 24073
 PHONE: (540) 394 - 3214 FAX: (540) 394 - 3215

**MOUNT SIDNEY
 WATER STORAGE TANK**

AUGUSTA COUNTY

VIRGINIA



DRAWN BY:
 JJM
 REVIEW BY:
 SMB
 DATE:
 14 MAR 2024
 REVISION:

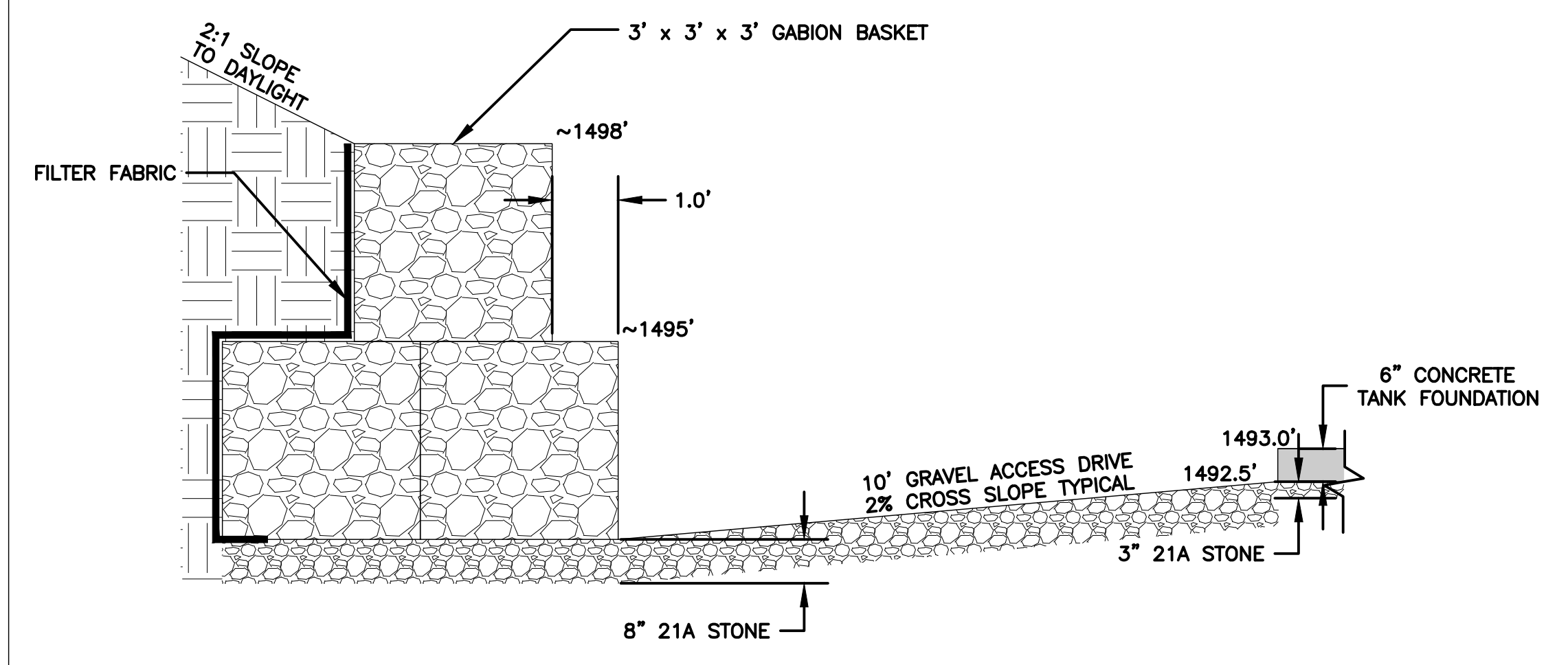
SHEET DESCRIPTION:
 EXISTING CONDITIONS,
 DEMO, & PH1 E&SC

C01

TMP 27-68H
Gatewood Mark W Orbetly J
3.00 AC
Zoned GA

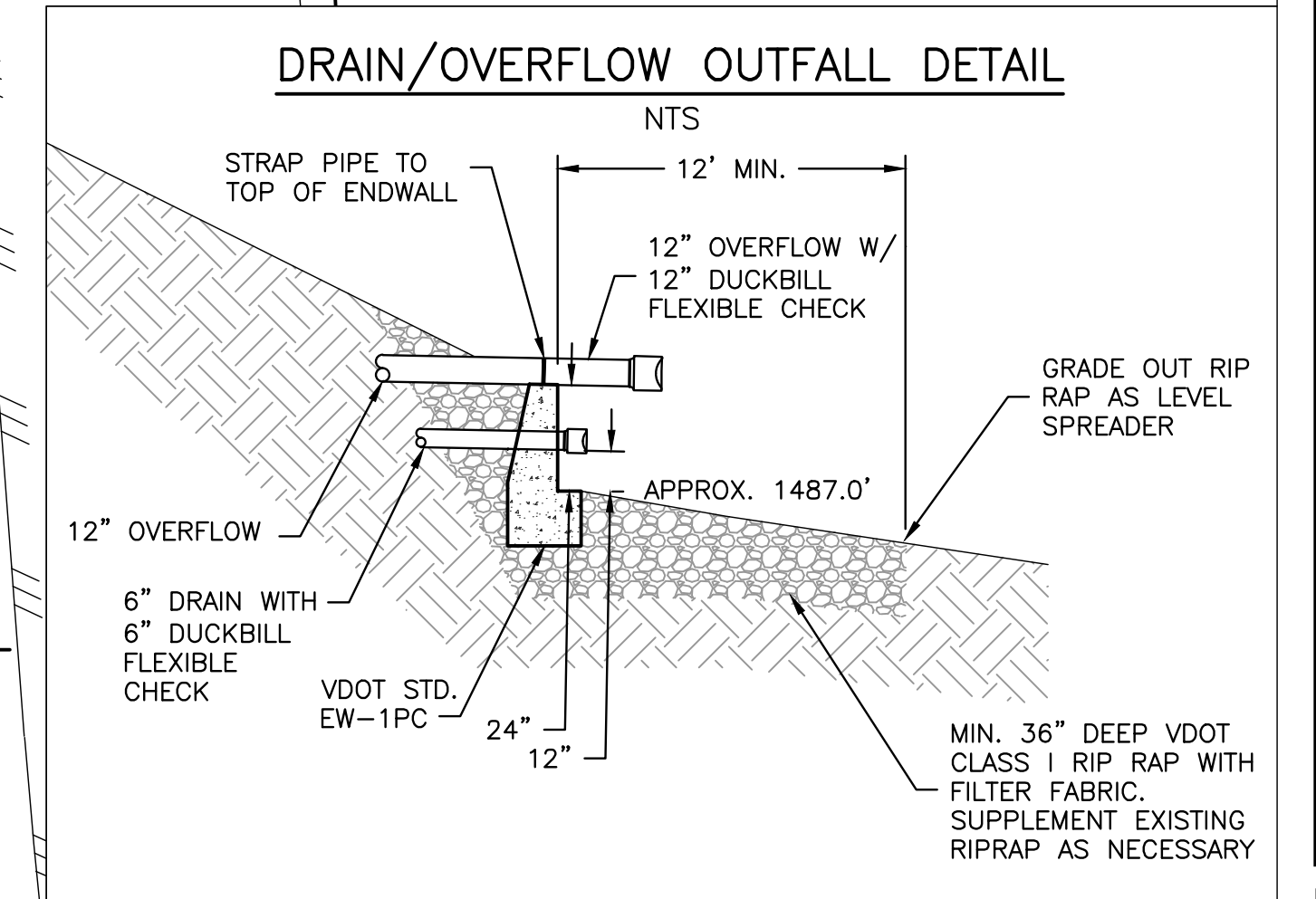
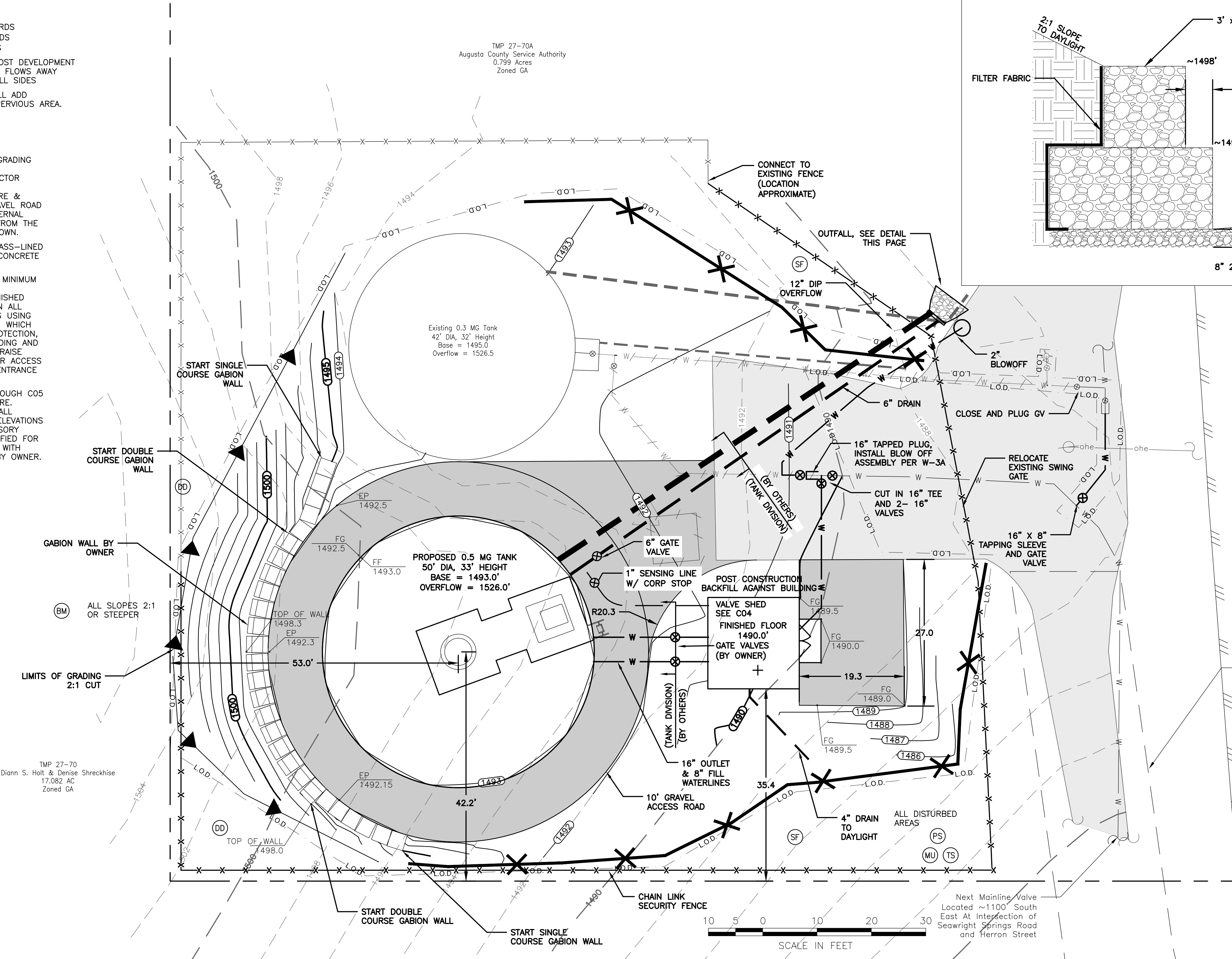
TMP 27-70A
Augusta County Service Authority
0.799 Acres
Zoned GA

TANK PERIMETER ROAD CROSS SECTION
NTS



- GENERAL NOTES:**
1. EXPECTED CUT VOLUME 760 CU YARDS
EXPECTED FILL VOLUME 35 CU YARDS
NET CUT VOLUME = 725 CU YARDS
 2. CONTRACTOR TO GRADE SO THAT POST DEVELOPMENT FLOW DOES NOT CONCENTRATE AND FLOWS AWAY FROM VALVE SHED AND TANK ON ALL SIDES
 3. TANK, SHED, AND GRAVEL ROAD WILL ADD APPROXIMATELY 5,250 SQFT OF IMPERVIOUS AREA.

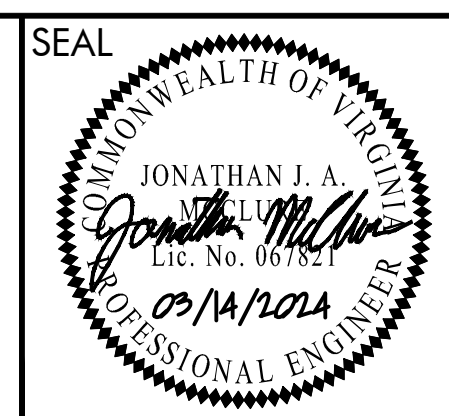
- TANK DIVISION NOTES:**
1. OWNER IS PROVIDING ROUGH SITE GRADING TO PREPARE PROPOSED TANK PAD SUBGRADE. TANK DIVISION CONTRACTOR SHALL BE RESPONSIBLE FOR TANK FOUNDATION STONE, TANK STRUCTURE & ACCESSORIES, TANK PERIMETER GRAVEL ROAD WITHIN 15\"/>
 2. TANK MAY BE CONSTRUCTED AS GLASS-LINED BOLTED STEEL OR PRE-STRESSED CONCRETE TANK, PER CONTRACT DOCUMENTS.
 3. GRADING ON THIS SHEET REFLECTS MINIMUM FINISHED GRADE FOR A TANK WITH TURNDOWN FOUNDATION, WHERE FINISHED GRADE IS BELOW BASE OF TANK ON ALL SIDES. CONCRETE TANK PROVIDERS USING AN INTEGRAL SLAB & WALL DESIGN, WHICH REQUIRES BACKFILL FOR FROST PROTECTION, SHALL BE RESPONSIBLE FOR PROVIDING AND INSTALLING REQUIRED BACKFILL TO RAISE FINISHED GRADE OF TANK PERIMETER ACCESS ROAD AND TIE INTO MAIN ACCESS ENTRANCE WITH SLOPE NOT TO EXCEED 15%.
 4. TANK DETAILS ON SHEETS C03 THROUGH C05 DEPICT A CONCRETE TANK STRUCTURE. BOLTED STEEL TANK PROVIDERS SHALL COMPLY WITH ALL DEPICTED TANK ELEVATIONS & DIMENSIONS, PIPING, AND ACCESSORY DETAILS EXCEPT AS SHALL BE MODIFIED FOR THEIR STEEL TANK IN ACCORDANCE WITH SPECIFICATIONS OR AS APPROVED BY OWNER.



Peed & Bortz, L.L.C.
CIVIL & ENVIRONMENTAL ENGINEERS
20 MIDWAY PLAZA DRIVE - SUITE 100
CHRISTIANSBURG, VIRGINIA 24073
PHONE: (540) 394 - 3214 FAX: (540) 394 - 3215

**MOUNT SIDNEY
WATER STORAGE TANK**

AUGUSTA COUNTY VIRGINIA



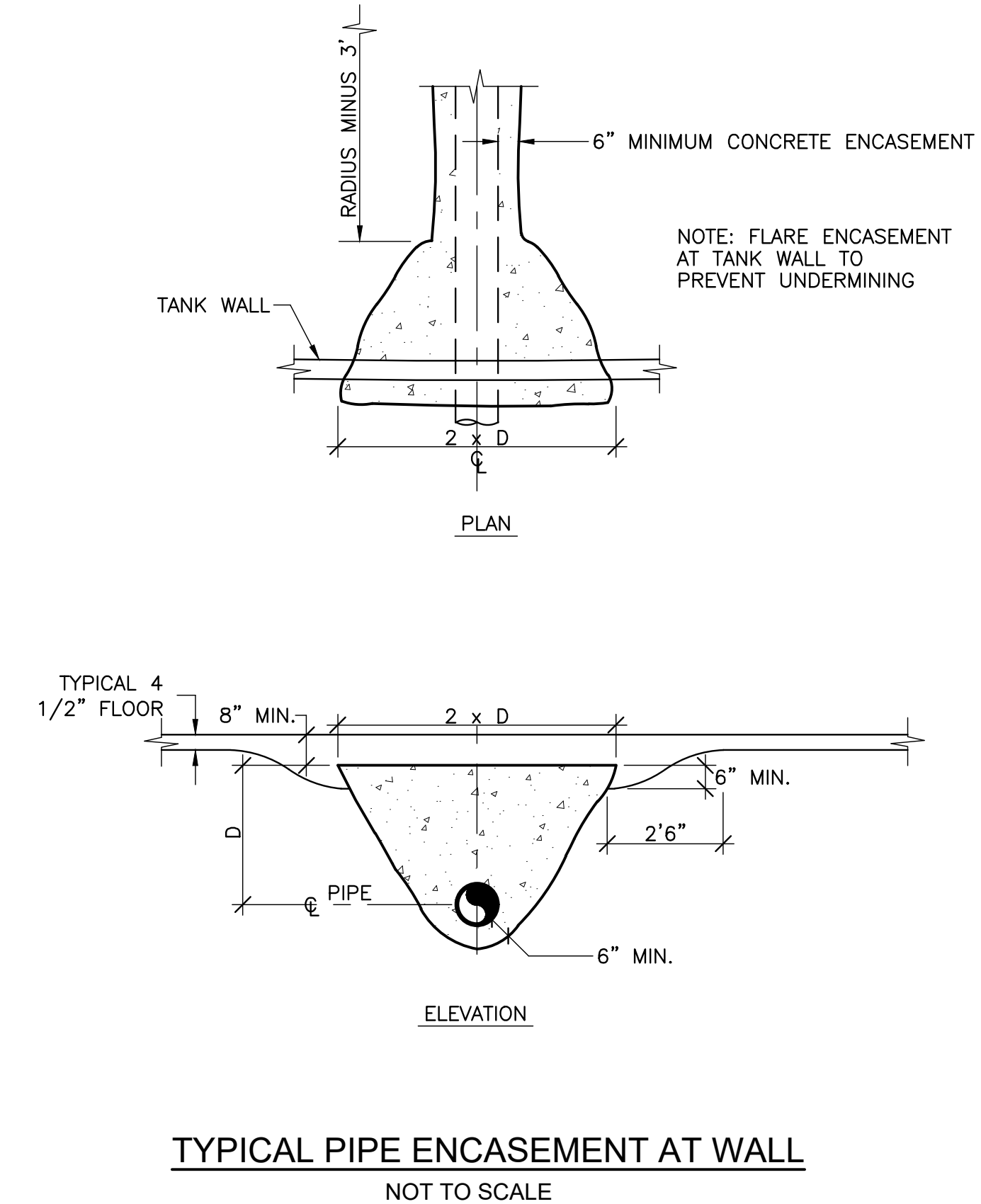
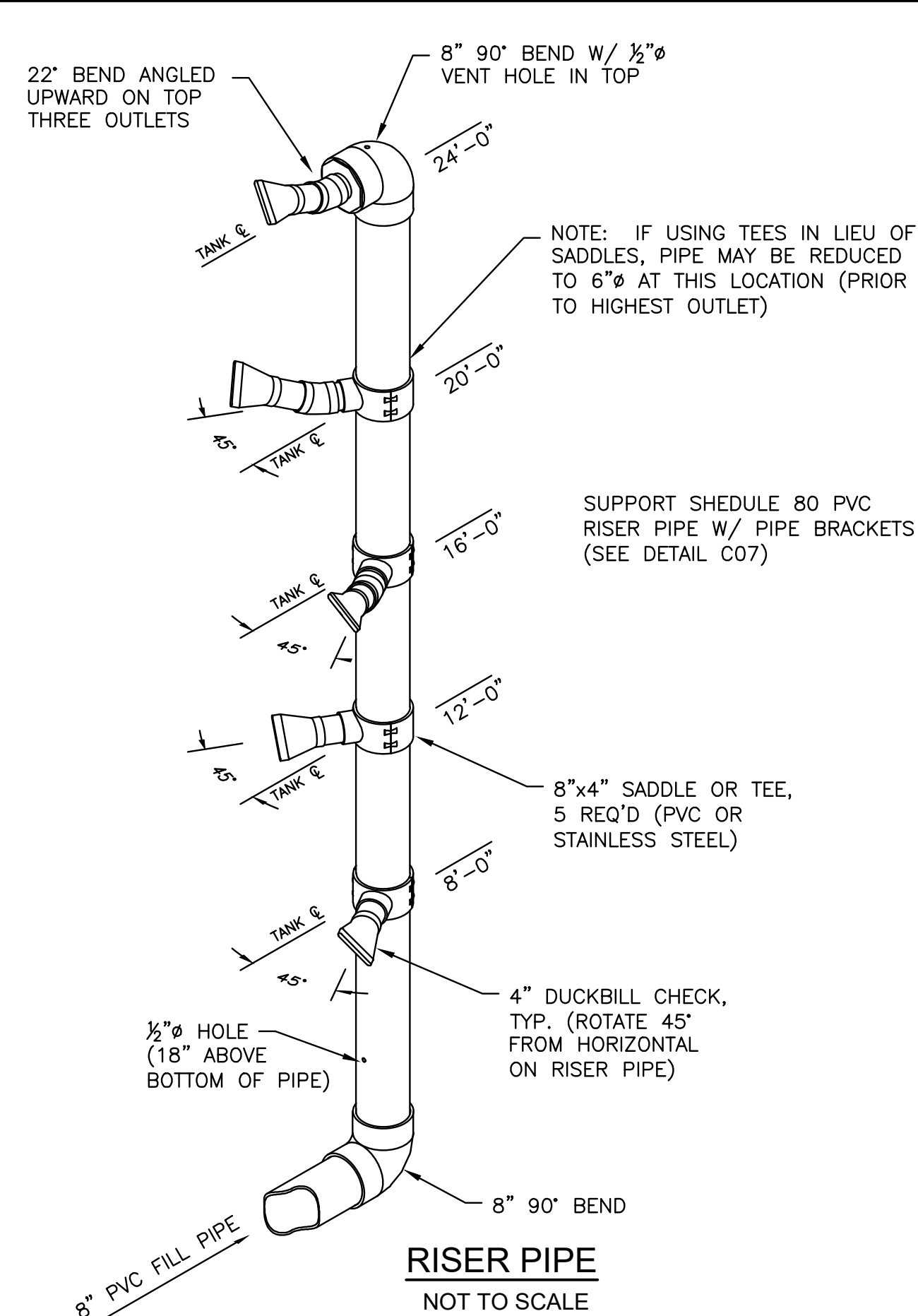
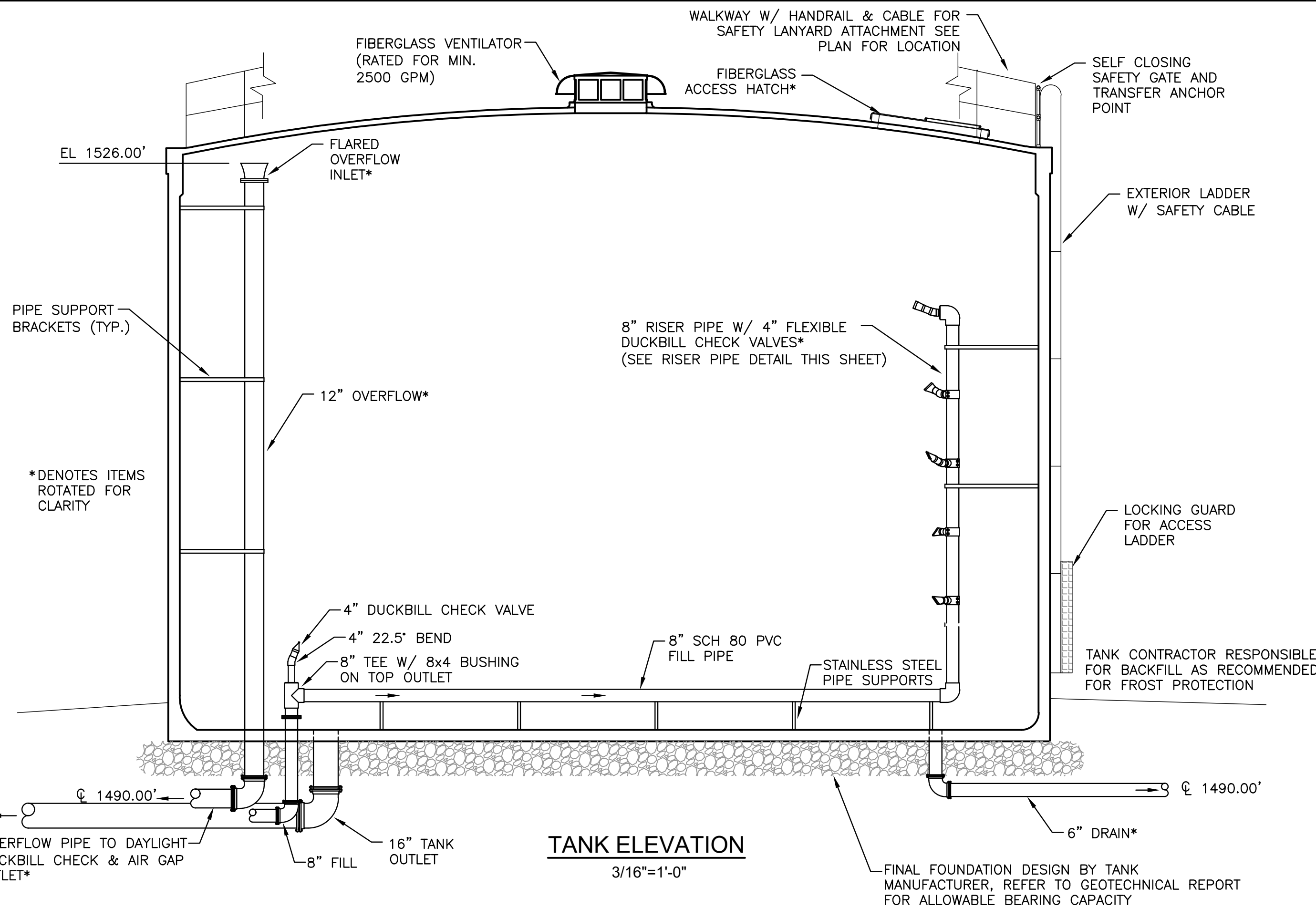
DRAWN BY: JJM
REVIEW BY: SMB
DATE: 14 MAR 2024
REVISION: ----

SHEET DESCRIPTION:
SITE, GRADING, AND PH II
E&S

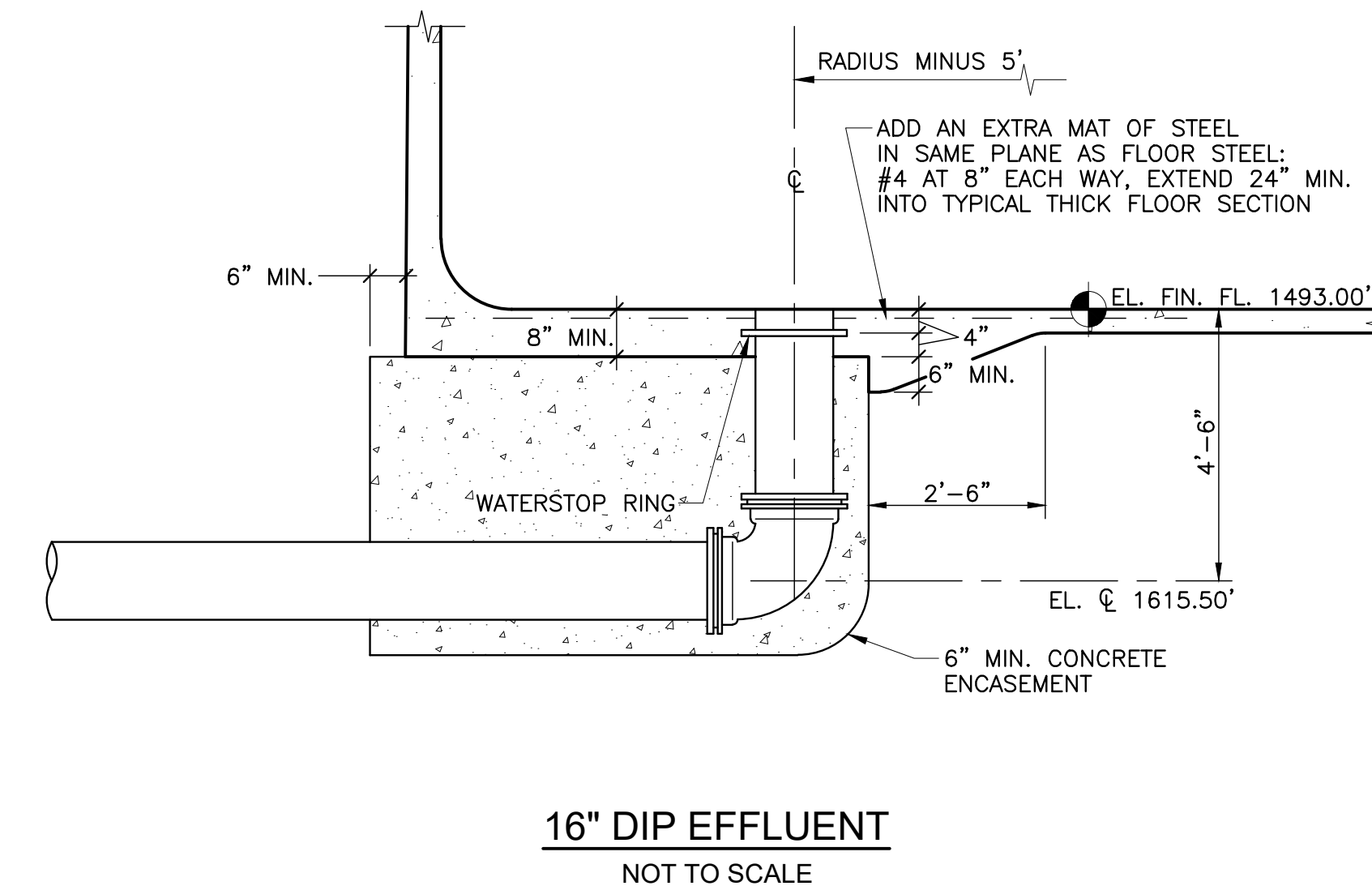
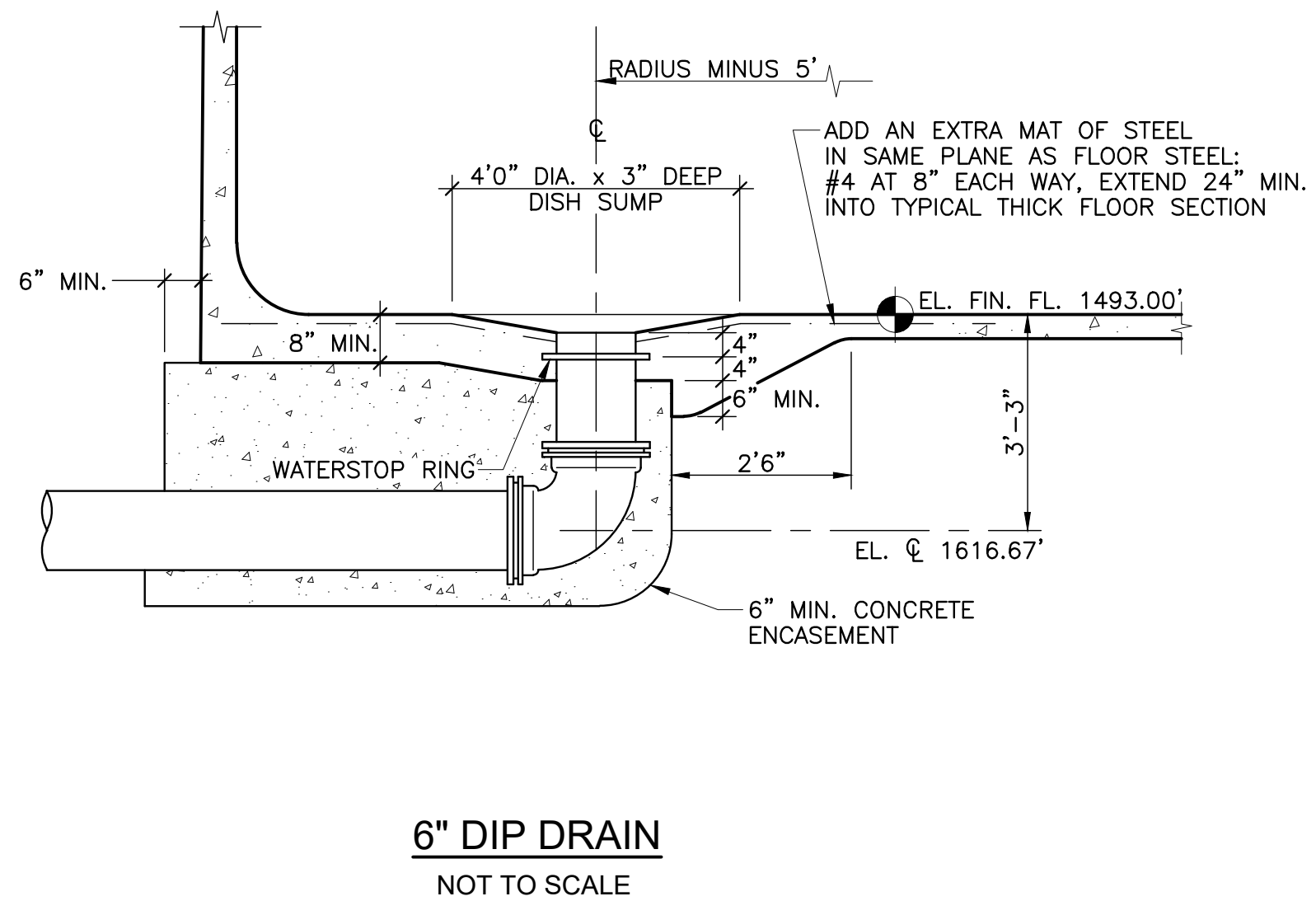
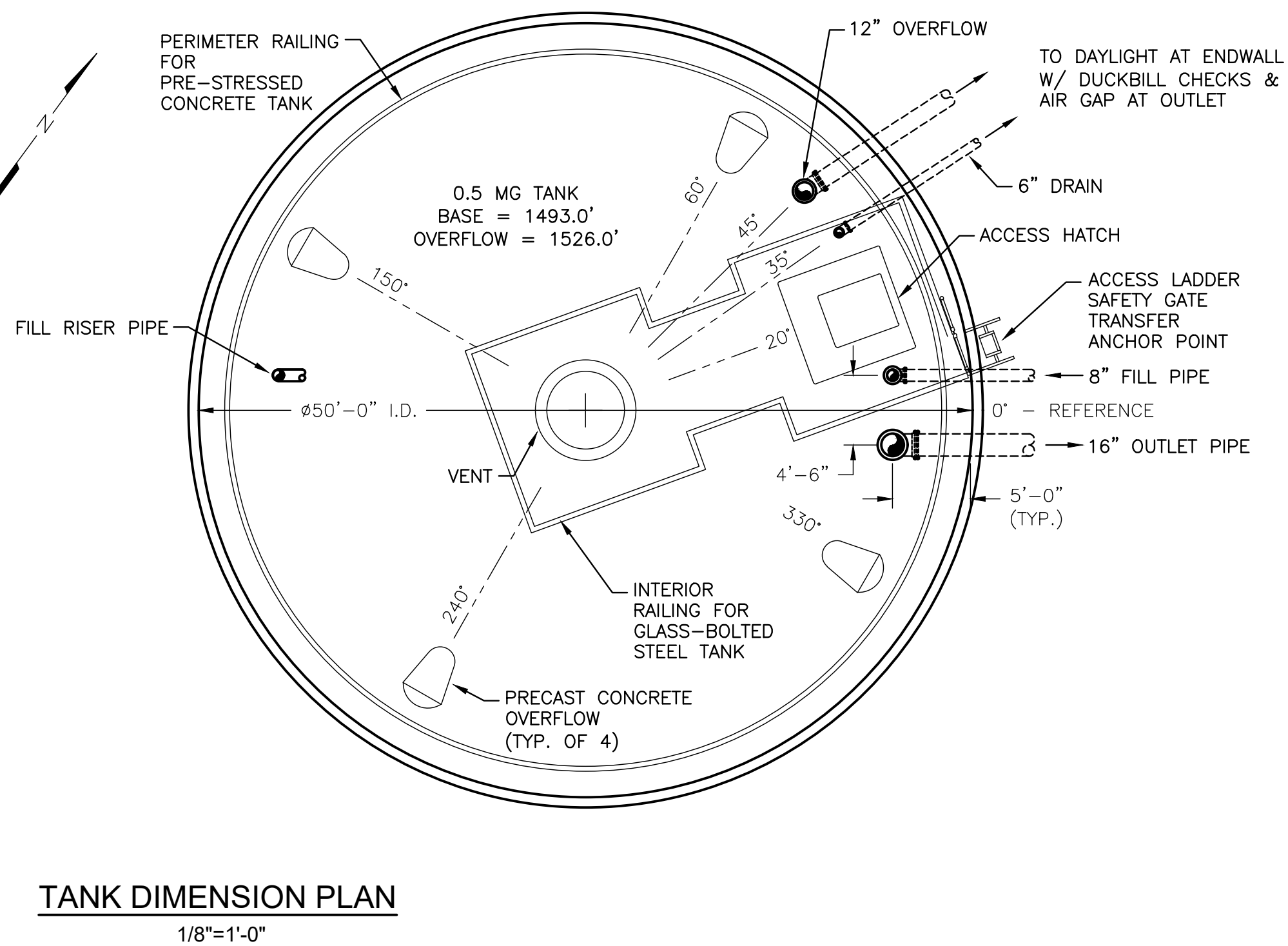
C02

NOTES:

1. ALL HARDWARE WITHIN TANK TO BE STAINLESS STEEL.
2. PIPE BENEATH AND PENETRATING TANK SHALL BE DUCTILE IRON. ALL OTHER PIPES WITHIN TANK SHALL BE SCHEDULE 80 PVC OR STAINLESS STEEL.
3. ALL HANDRAILS, PLATFORM LANDINGS, WALKWAYS, LADDERS AND SAFETY CLIMB DEVICES SHALL CONFORM WITH CURRENT OSHA STANDARDS.
4. CLIMBING SAFETY SYSTEMS MUST BE CERTIFIED BY A QUALIFIED ENGINEER AT THE EXPENSE OF THE CONTRACTOR. INSTALLATION OF THE CLIMBING SYSTEM MUST BE SUPERVISED BY A QUALIFIED PERSON. A QUALIFIED PERSON SHALL HOLD A RECOGNIZED DEGREE, CERTIFICATE OR PROFESSIONAL STANDING, OR WHO BY EXTENSIVE KNOWLEDGE, TRAINING AND EXPERIENCE, HAS SUCCESSFULLY DEMONSTRATED HIS ABILITY TO SOLVE OR RESOLVE PROBLEMS RELATING TO FALL PROTECTION AND RESCUE SYSTEMS TO THE EXTENT REQUIRED BY OSHA OR OTHER APPLICABLE FEDERAL, STATE, AND LOCAL REGULATIONS.



NOTE: FIELD VERIFY ALL ACCESSORY & PIPE LOCATIONS WITH ENGINEER PRIOR TO PLACEMENT.

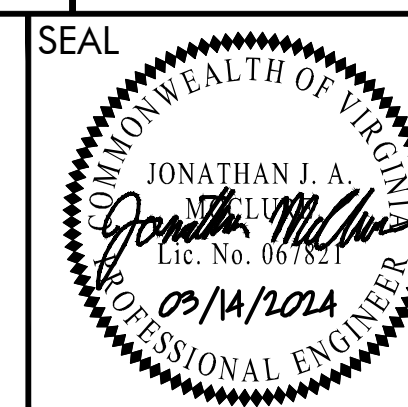


Peed & Bortz, L.L.C.
CIVIL & ENVIRONMENTAL ENGINEERS
20 MIDWAY PLAZA DRIVE - SUITE 100
CHRISTIANSBURG, VIRGINIA 24073
PHONE: (540) 394 - 3214 FAX: (540) 394 - 3215

**MOUNT SIDNEY
WATER STORAGE TANK**

AUGUSTA COUNTY

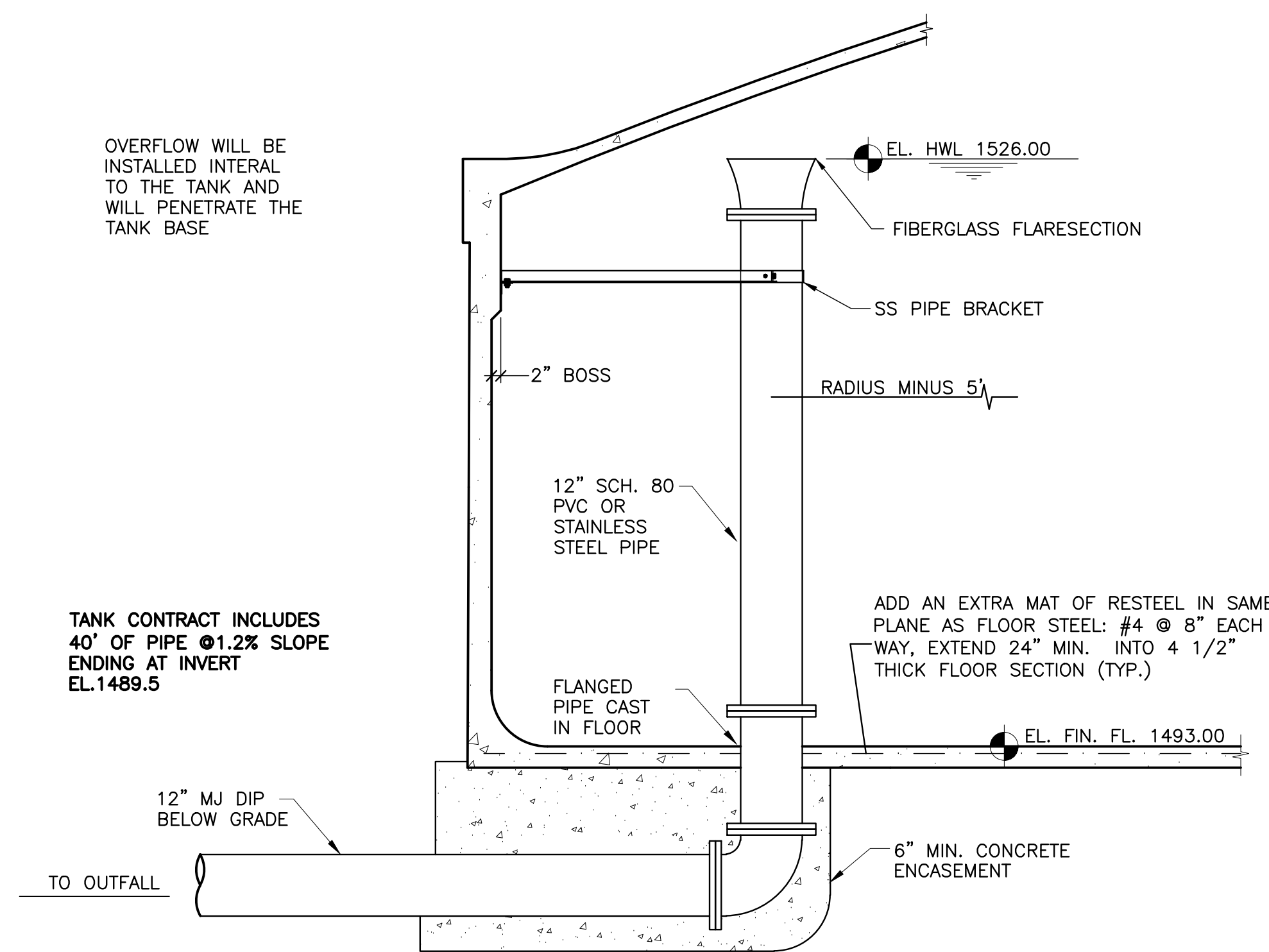
VIRGINIA



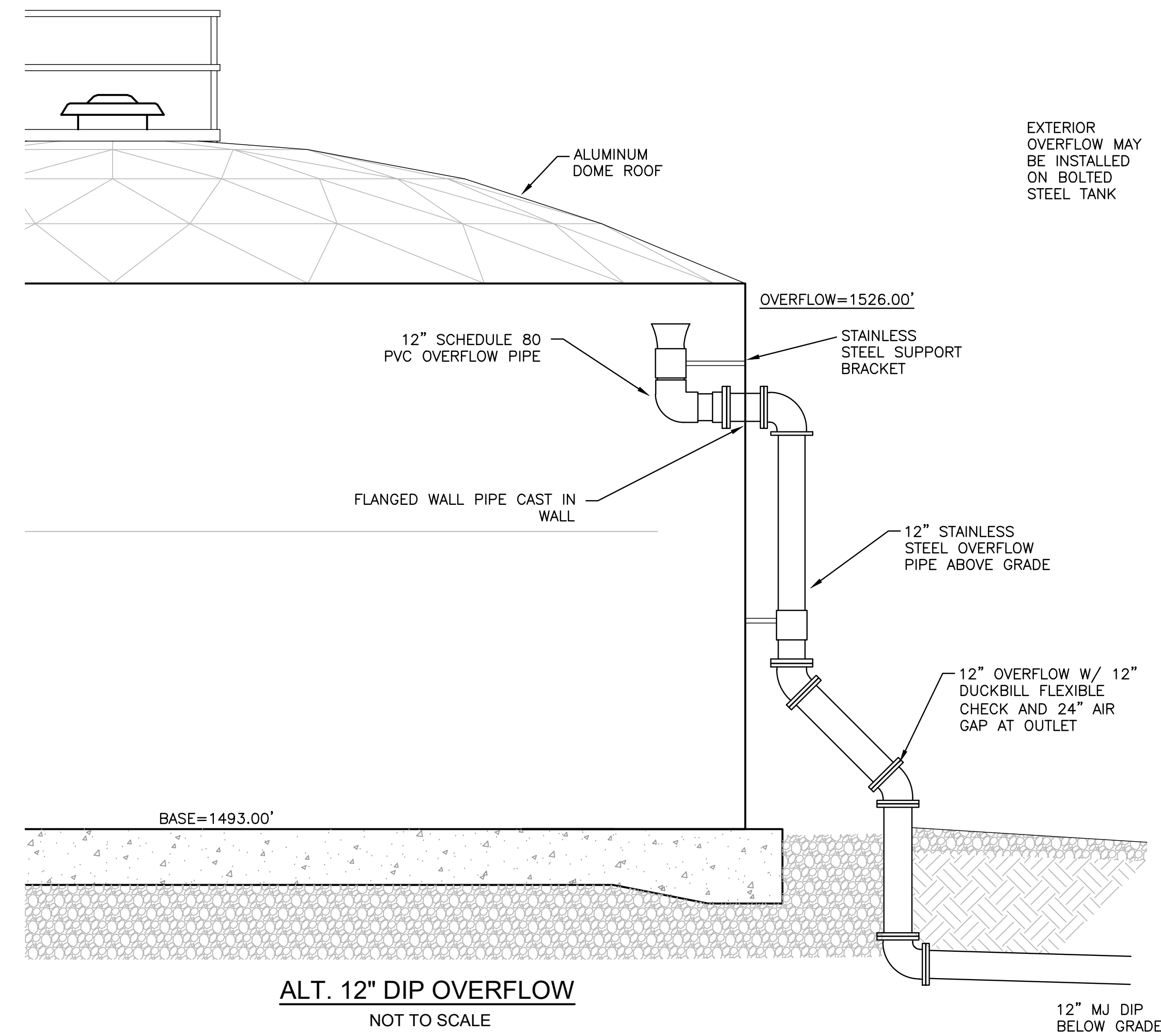
DRAWN BY: JJM
REVIEW BY: SMB
DATE: 14 MAR 2024
REVISION: ----

SHEET DESCRIPTION:
TANK DETAILS (1 OF 3)

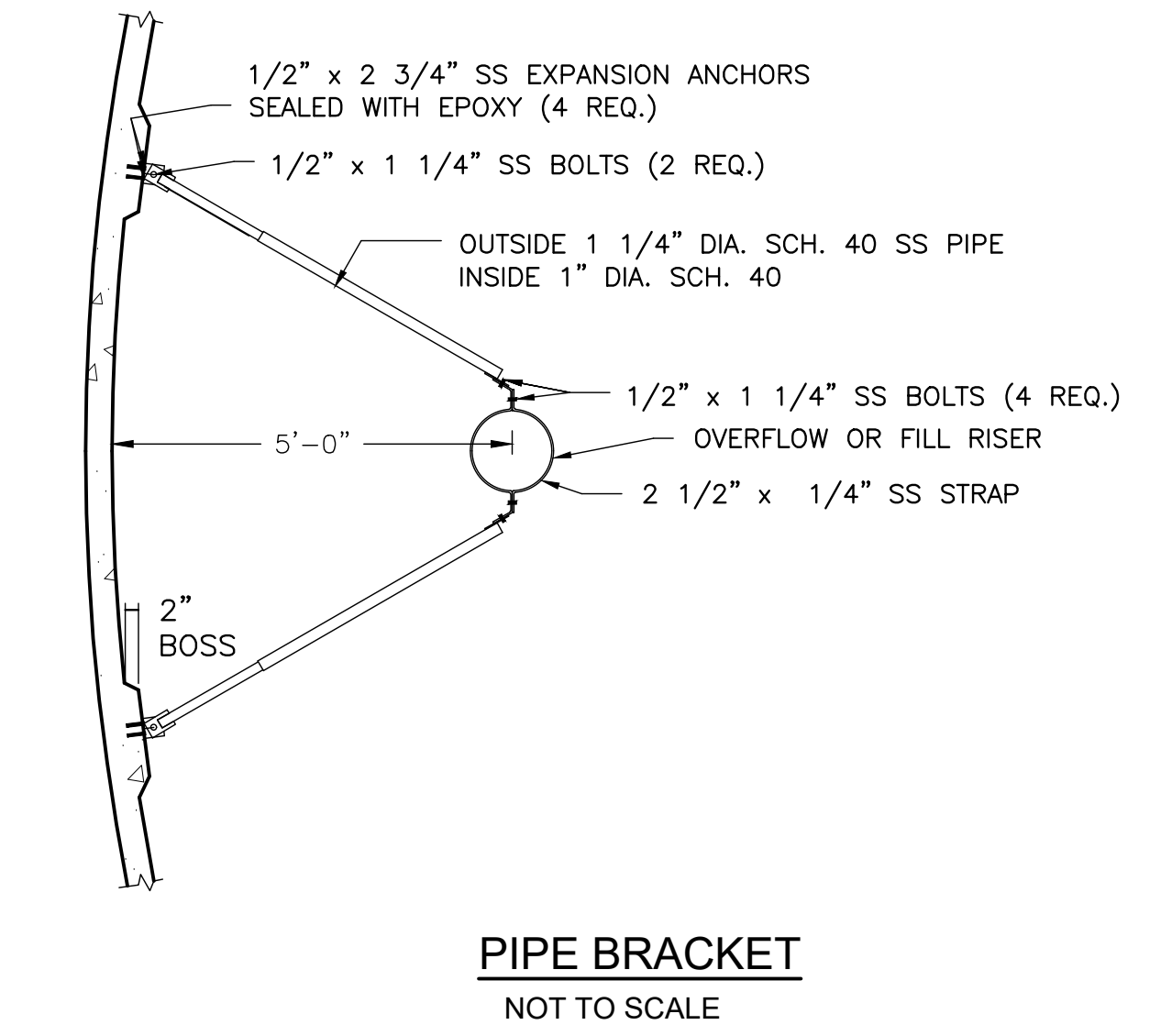
C03



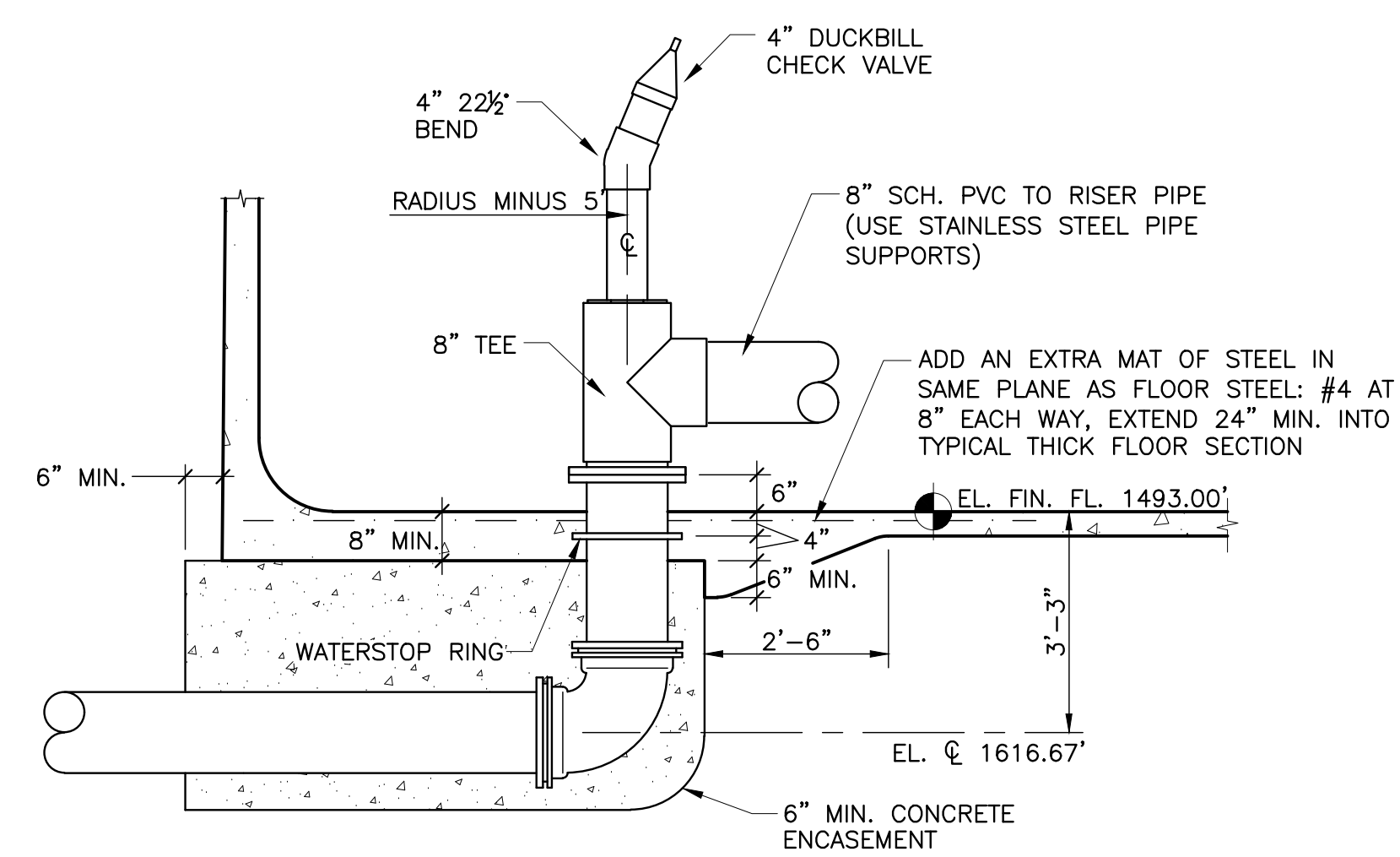
12\"/>



ALT. 12\"/>

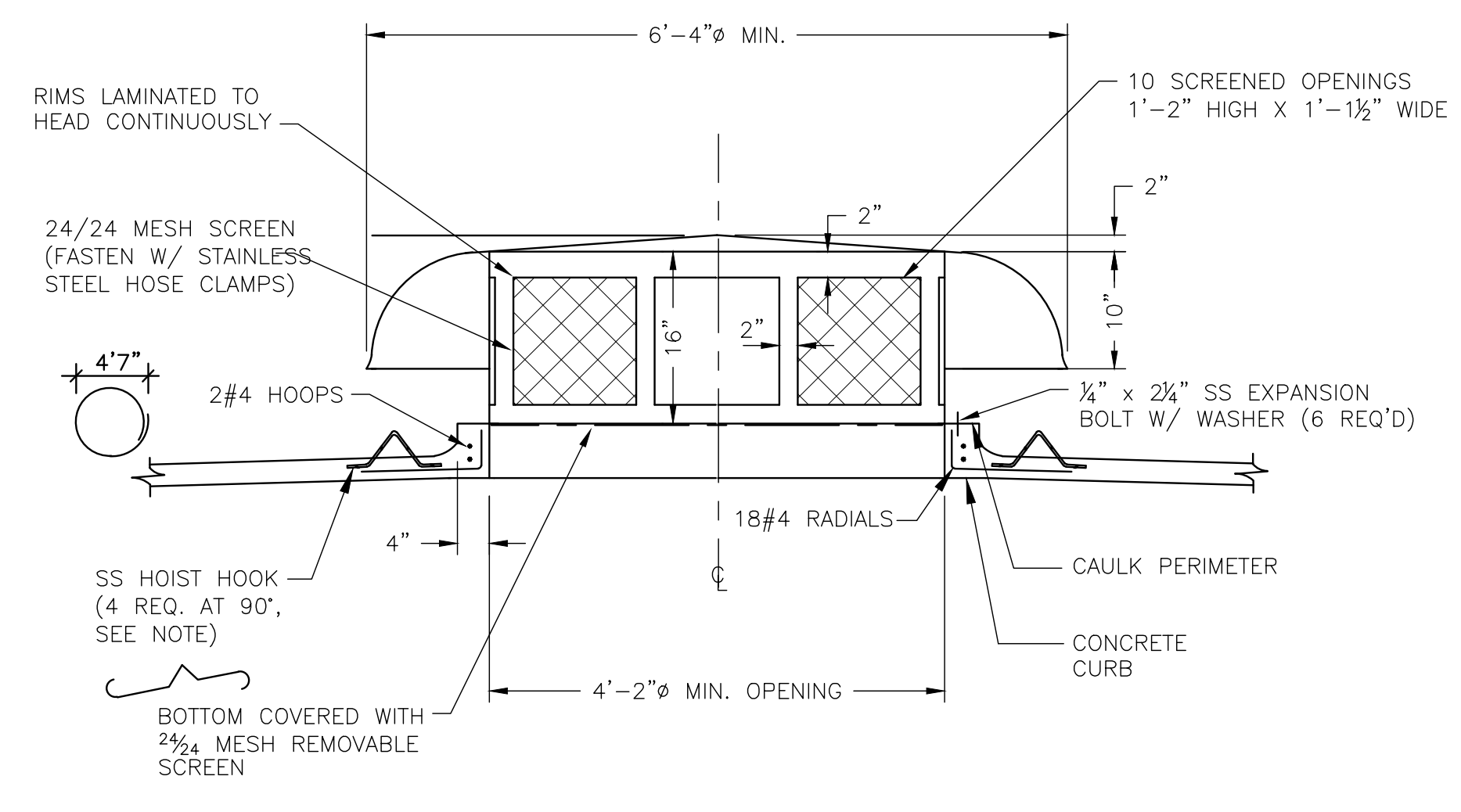


PIPE BRACKET
NOT TO SCALE



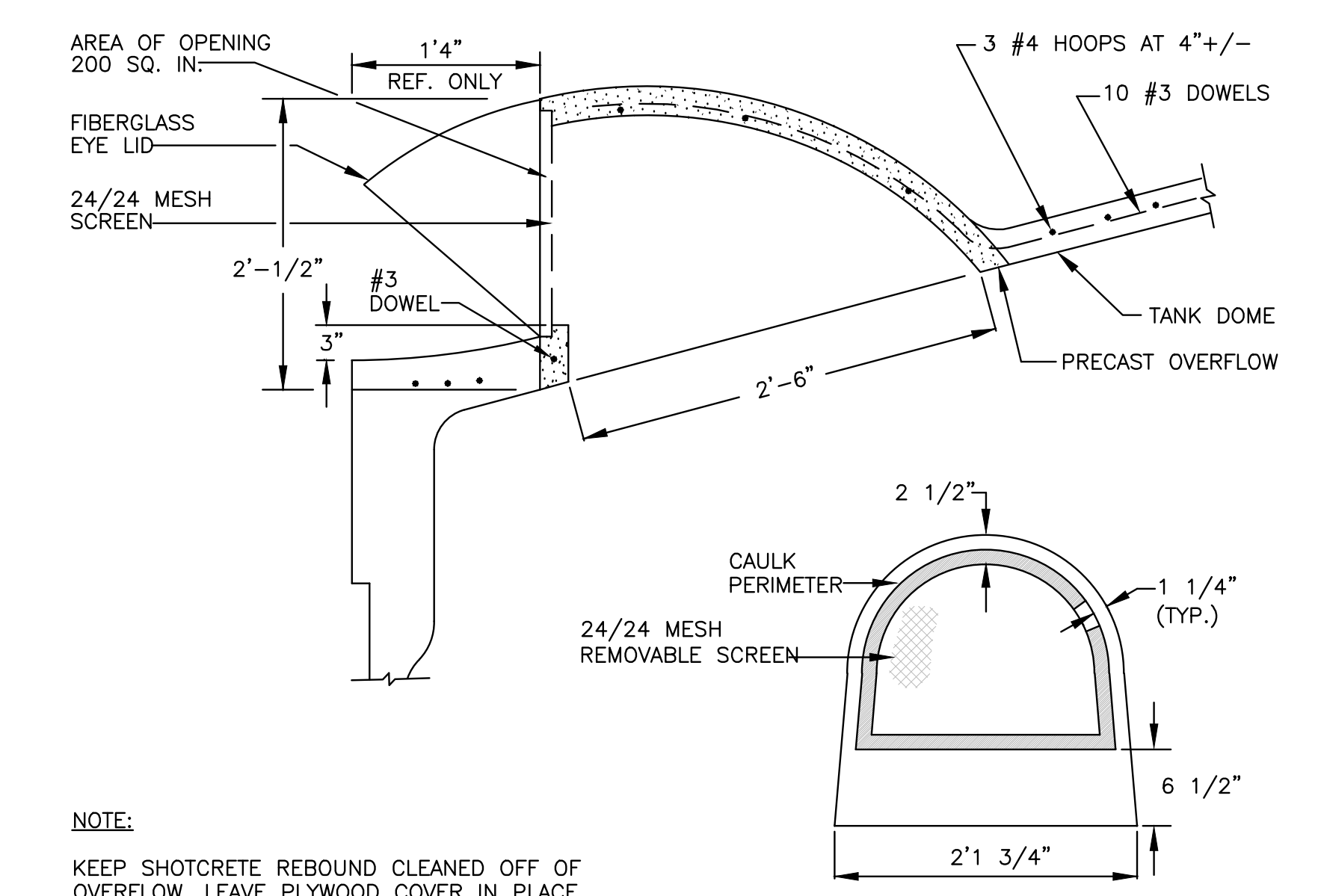
8\"/>

- NOTES:
- ALL HARDWARE WITHIN TANK TO BE STAINLESS STEEL.
 - PIPE BENEATH AND PENETRATING TANK SHALL BE DUCTILE IRON. ALL OTHER PIPE WITHIN TANK SHALL BE SCHEDULE 80 PVC OR STAINLESS STEEL.



FIBERGLASS VENTILATOR
NOT TO SCALE

- NOTES:
- HOIST HOOKS SHALL BE RATED FOR 5000 LB LOAD EACH.
 - PROVIDE SIGN INDICATING "CAUTION FALL PROTECTION REQUIRED - USE ANCHOR POINTS"
 - VENTILATOR TO BE SIZED FOR MINIMUM 2,500 GPM TANK FILL OR DRAIN.

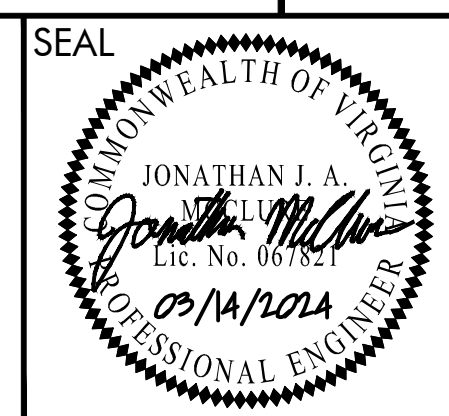


#200 PRECAST CONCRETE OVERFLOW WITH FIBERGLASS EYE LID
NOT TO SCALE

- NOTE:
- KEEP SHOTCRETE REBOUND CLEANED OFF OF OVERFLOW. LEAVE PLYWOOD COVER IN PLACE UNTIL ALL SHOTCRETING IS COMPLETE

Peed & Bortz, L.L.C.
CIVIL & ENVIRONMENTAL ENGINEERS
20 MIDWAY PLAZA DRIVE - SUITE 100
CHRISTIANSBURG, VIRGINIA 24073
PHONE: (540) 394 - 3214 FAX: (540) 394 - 3215

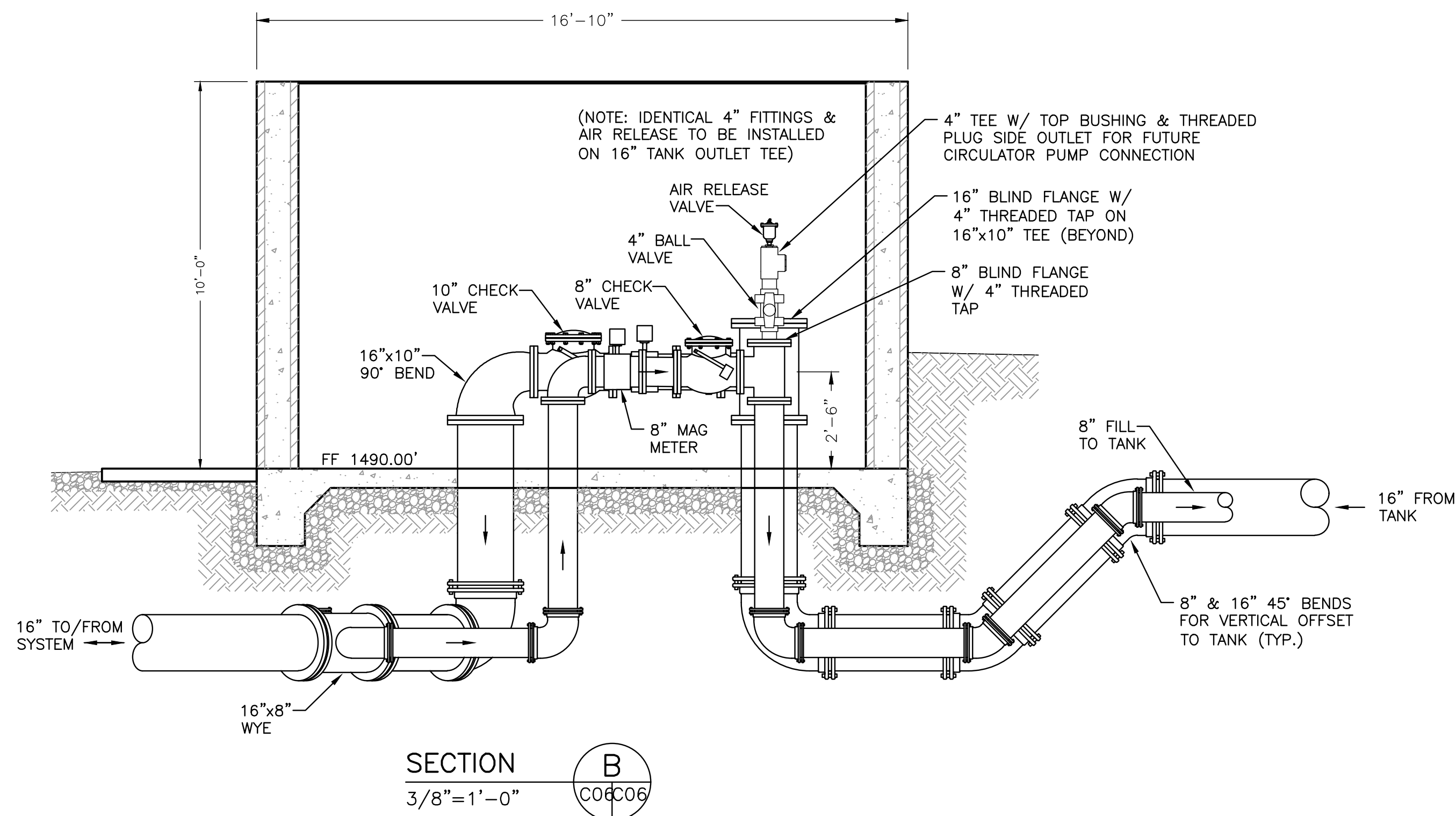
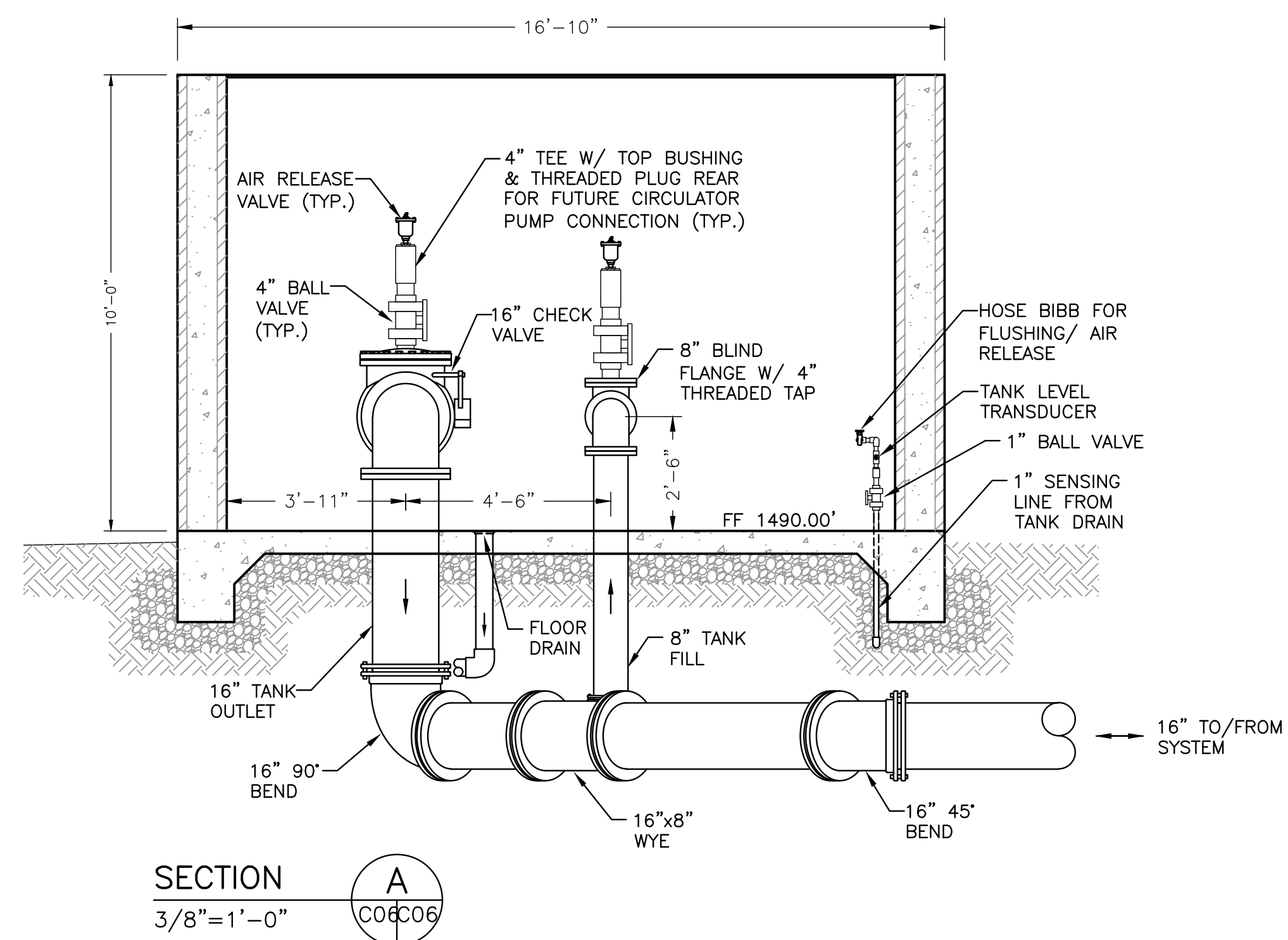
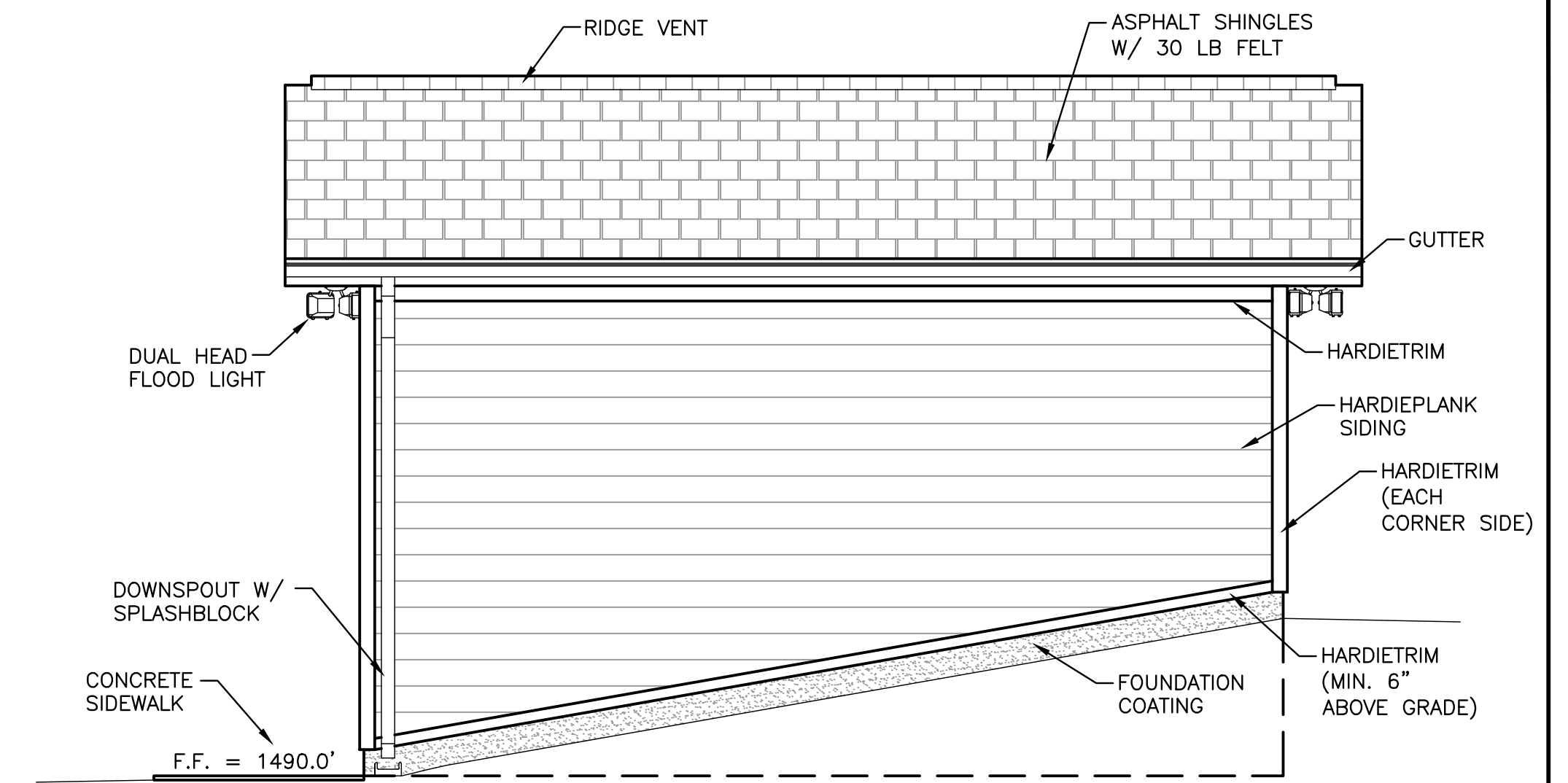
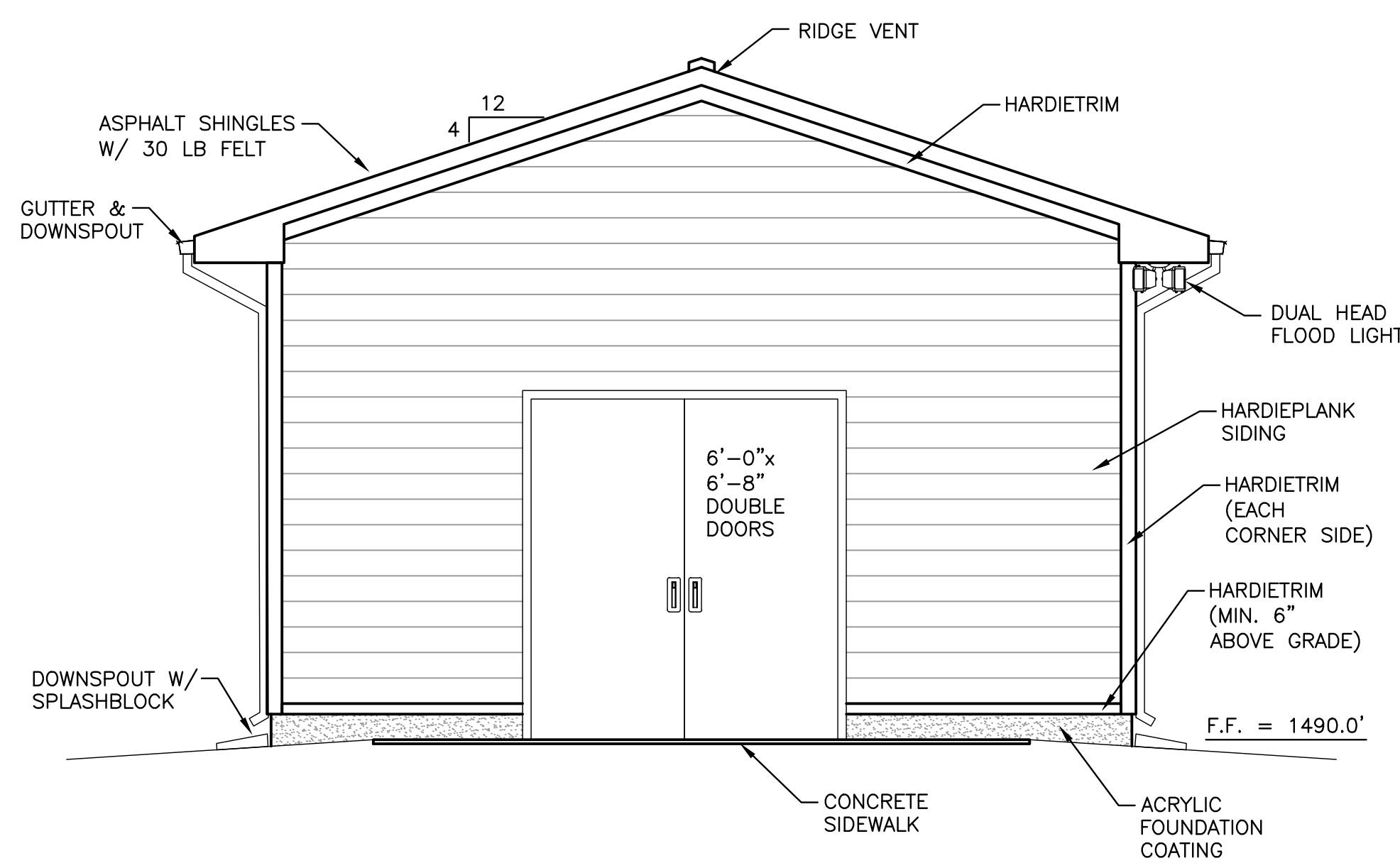
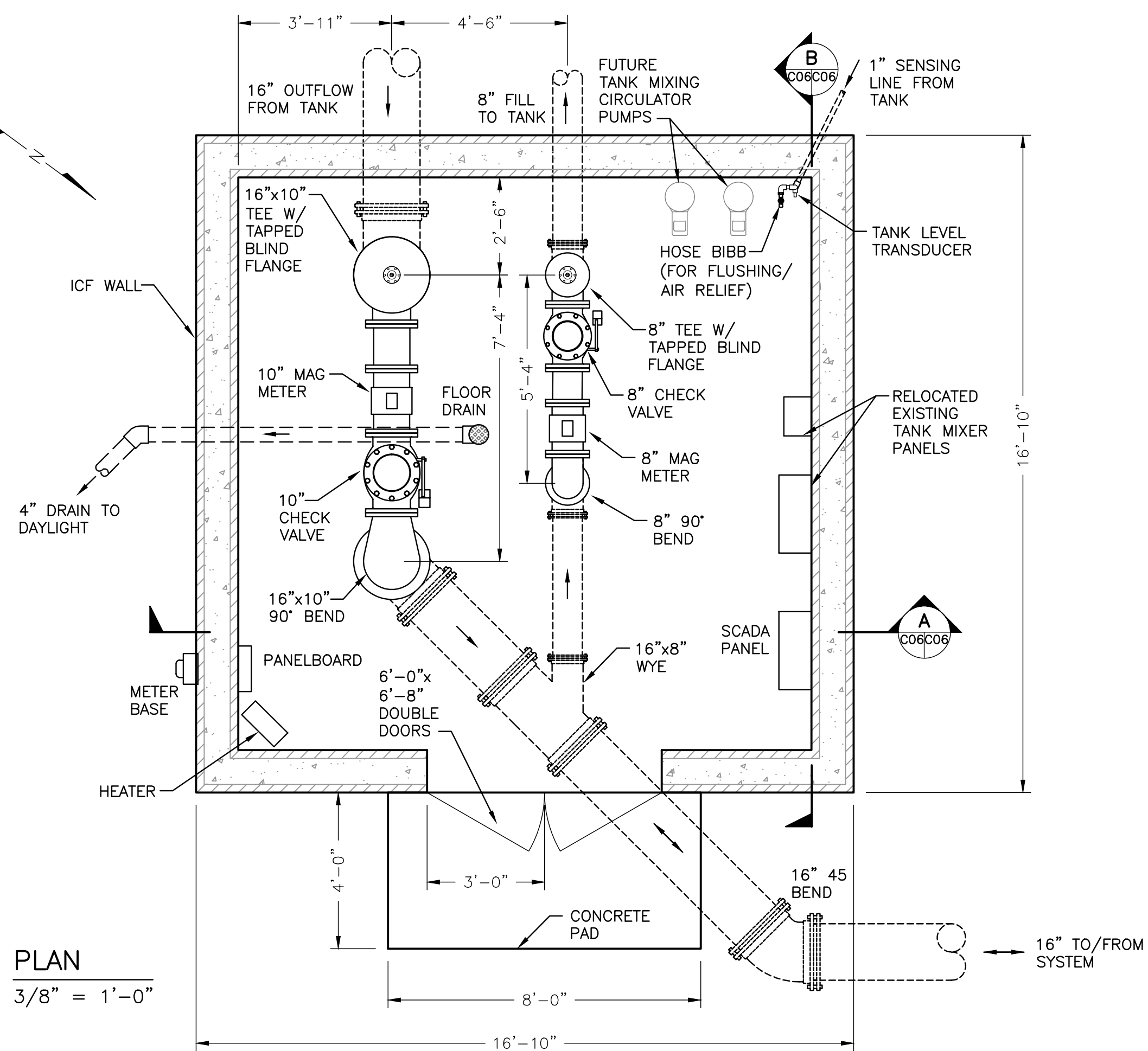
MOUNT SIDNEY
WATER STORAGE TANK
AUGUSTA COUNTY VIRGINIA



DRAWN BY: JJM
REVIEW BY: SMB
DATE: 14 MAR 2024
REVISION: ----

SHEET DESCRIPTION:
TANK DETAILS (2 OF 3)

C04



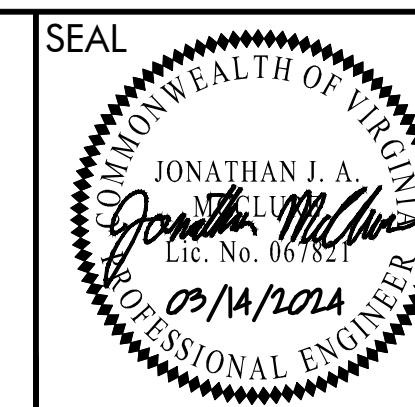
- NOTES:**
1. SLOPE SLAB TO FLOOR DRAIN AT MINIMUM 1/16" PER FOOT SLOPE.
 2. PROVIDE RESTRAINED JOINT FITTINGS AT ALL PRESSURE PIPE FITTINGS BENEATH SLAB.
 3. SUPPORT ALL PIPING 4" AND SMALLER AT MAXIMUM 6' O.C. FROM WALL, FLOOR, OR CEILING.
 4. DOOR LOCK TO BE STANDARD ACSA MODEL, KEYPED TO MATCH MASTER KEY.
 5. BUILDING FINISHED AREA: 225 SF
BUILDING MAX HEIGHT: 13'

Peed & Bortz, L.L.C.
CIVIL & ENVIRONMENTAL ENGINEERS
20 MIDWAY PLAZA DRIVE - SUITE 100
CHRISTIANSBURG, VIRGINIA 24073
PHONE: (540) 394 - 3214 FAX: (540) 394 - 3215

**MOUNT SIDNEY
WATER STORAGE TANK**

AUGUSTA COUNTY

VIRGINIA



DRAWN BY: RNJ
REVIEW BY: JJM
DATE: 14 MAR 2024
REVISION:

SHEET DESCRIPTION:
VALVE SHED PLAN &
SECTIONS

C06

**TABLE 3.32-C
SITE SPECIFIC SEEDING MIXTURES
FOR APPALACHIAN/MOUNTAIN AREA**

	Total Lbs. Per Acre
Minimum Care Lawn	
- Commercial or Residential	200-250 lbs.
- Kentucky 31 or Turf-Type Tall Fescue	90-100%
- Improved Perennial Ryegrass *	0-10%
- Kentucky Bluegrass	0-10%
High-Maintenance Lawn	
Minimum of three (3) up to five (5) varieties of bluegrass from approved list for use in Virginia.	125 lbs.
General Slope (3:1 or less)	
- Kentucky 31 Fescue	128 lbs.
- Red Top Grass	2 lbs.
- Seasonal Nurse Crop **	20 lbs.
	150 lbs.
Low-Maintenance Slope (Steeper than 3:1)	
- Kentucky 31 Fescue	108 lbs.
- Red Top Grass	2 lbs.
- Seasonal Nurse Crop **	20 lbs.
- Crownvetch ***	20 lbs.
	150 lbs.

* Perennial Ryegrass will germinate faster and at lower soil temperatures than fescue, thereby providing cover and erosion resistance for seedbed.

** Use seasonal nurse crop in accordance with seeding dates as stated below:
 March, April through May 15th Annual Rye
 May 16th through August 15th Foxtail Millet
 August 16th through September, October Annual Rye
 November through February Winter Rye

*** If Flatpea is used, increase to 30 lbs./acre. All legume seed must be properly inoculated. Weeping Lovegrass may also be included in any slope or low-maintenance mixture during warmer seeding periods; add 10-20 lbs/acre in mixes.

TABLE 3.35-A ORGANIC MULCH MATERIALS AND APPLICATION RATE

MULCHES:	RATES: Per Acre	RATES: Per 1000 sq. ft.	NOTES:
STRAW OR HAY	1½-2 TONS (MINIMUM 2 TONS FOR WINTER COVER)	70-90 lbs.	FREE FROM WEEDS AND COARSE MATTER. MUST BE ANCHORED. SPREAD WITH MULCH BLOWER OR BY HAND.
FIBER MULCH	MINIMUM 1500 lbs.	35 lbs.	DO NOT USE AS MULCH FOR WINTER COVER OR DURING HOT DRY PERIODS.* APPLY AS SLURRY.
CORN STALKS	4-6 TONS	185-275 lbs.	CUT OR SHREDDED IN 4-6" LENGTHS. AIR-DRIED. DO NOT USE IN FINE TURF AREAS. APPLY WITH MULCH BLOWER OR BY HAND.
WOOD CHIPS	4-6 TONS	185-275 lbs.	FREE OF COARSE MATTER. AIR-DRIED. TREAT WITH 12 lbs NITROGEN PER TON. DO NOT USE IN FINE TURF AREAS. APPLY WITH MULCH BLOWER, CHIP HANDLER, OR BY HAND.
BARK CHIPS OR SHREDDED BARK	50-70 cu. yds.	1-2 cu. yds.	FREE OF COARSE MATTER. AIR-DRIED. DO NOT USE IN FINE TURF AREAS. APPLY WITH MULCH BLOWER, CHIP HANDLER, OR BY HAND.

* WHEN FIBER MULCH IS THE ONLY AVAILABLE MULCH DURING PERIODS WHEN STRAW SHOULD BE USED, APPLY AT A MINIMUM RATE OF 2000 lbs./ac. OR 45 lbs./1000 sq.ft.

MANAGEMENT STRATEGIES

- CONSTRUCTION WILL BE SEQUENCED SO THAT GRADING OPERATIONS CAN BEGIN AND END AS QUICKLY AS POSSIBLE.
- ALL DISTURBED AREAS WILL BE PROTECTED BY DRAINING RUNOFF TO AN APPROVED EROSION CONTROL DEVICE.
- SILT FENCE SHOULD BE INSTALLED AS THE FIRST STEP IN LAND DISTURBING ACTIVITIES.
- INSTALL DIVERSION DIKES AFTER PERIMETER SILT FENCE HAS BEEN INSTALLED.
- TEMPORARY SEEDING WILL OCCUR WITHIN 7 DAYS AFTER GRADING AND PERMANENT SEEDING WILL OCCUR WITHIN 7 DAYS.
- THE JOB SUPERINTENDENT SHALL BE RESPONSIBLE FOR THE INSTALLATION AND MAINTENANCE OF ALL EROSION AND SEDIMENT CONTROL PRACTICES.
- AFTER ACHIEVING ADEQUATE STABILIZATION, THE TEMPORARY E & S CONTROLS WILL BE CLEANED UP AND REMOVED. THE INSPECTOR WILL DETERMINE WHEN MEASURES MAY BE REMOVED.

SEQUENCE OF CONSTRUCTION

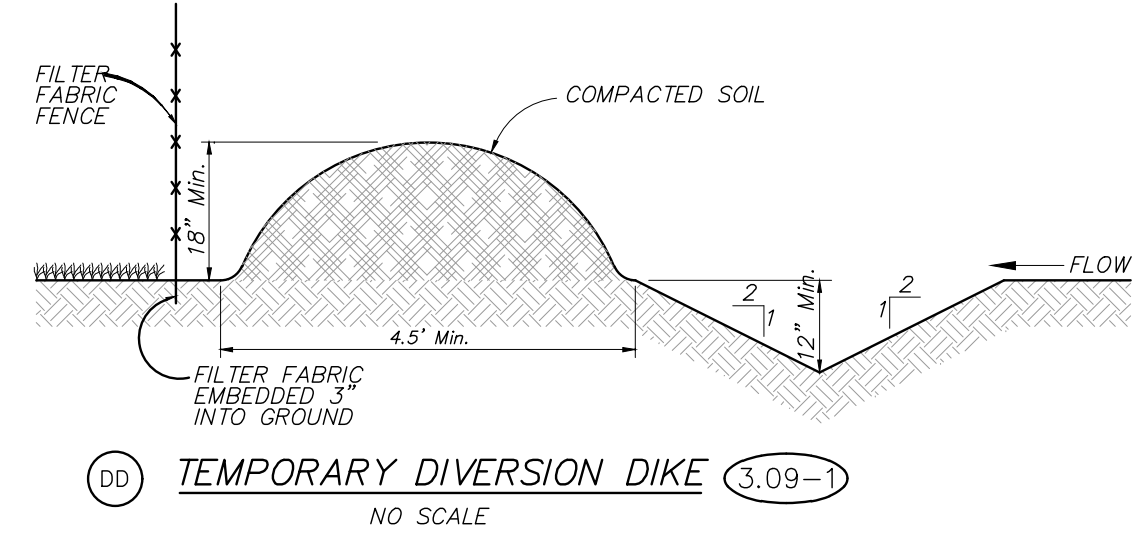
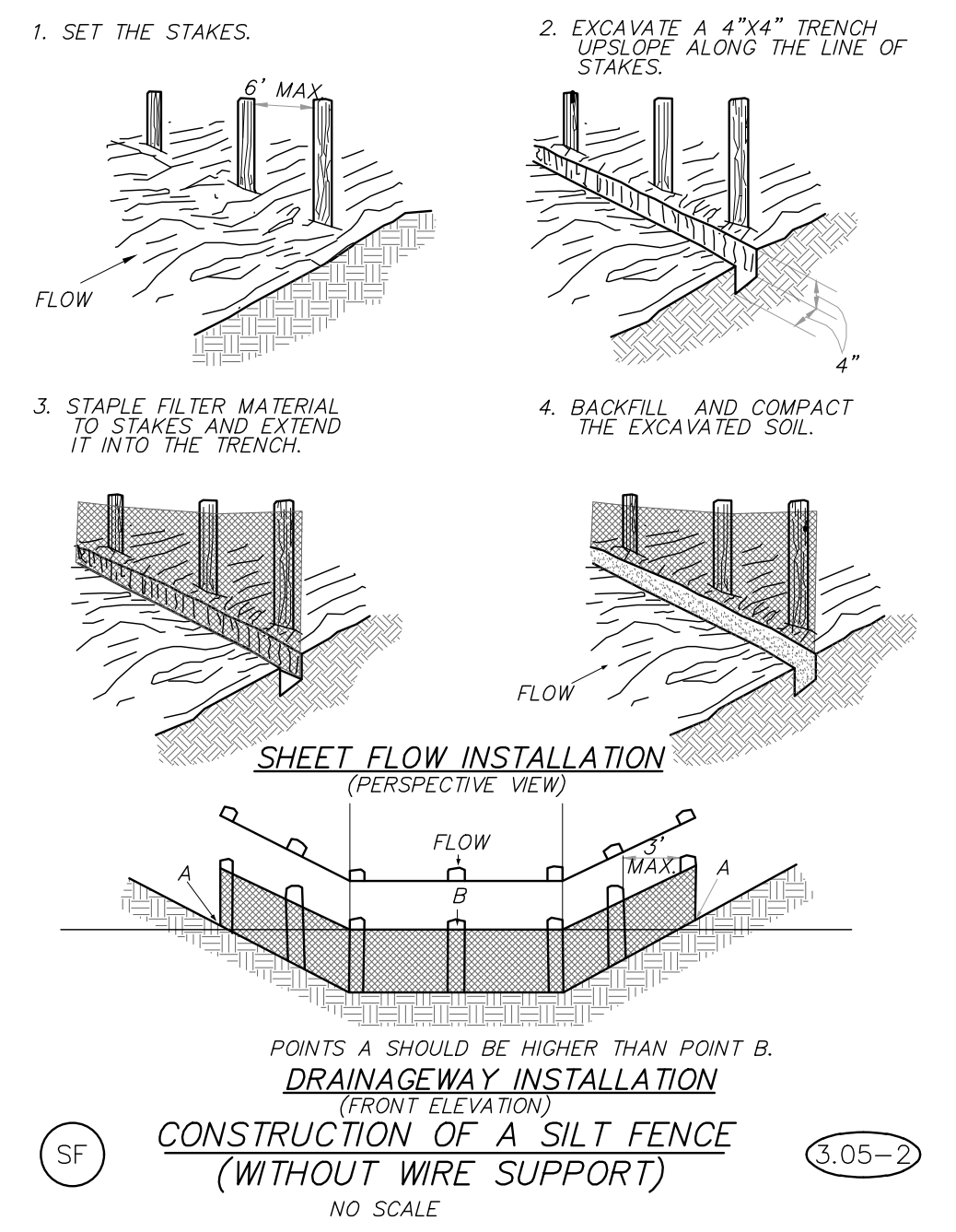
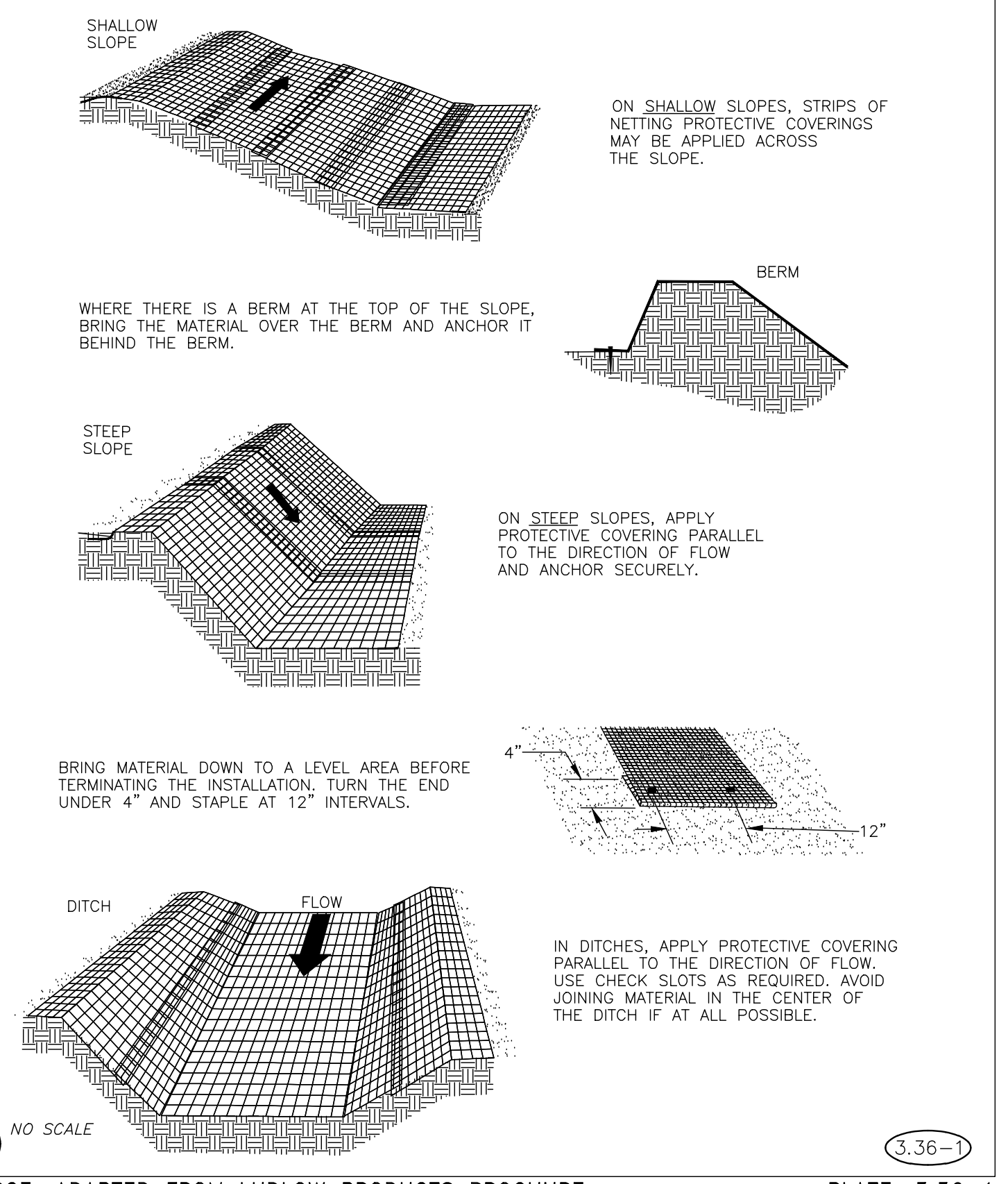
- INSTALL PERIMETER CONTROLS (SILT FENCE, DIVERSION DIKES) PRIOR TO LAND DISTURBANCE.
- ROUGH GRADING OF SITE.
- APPLICATION OF GRAVEL AND OTHER IMPERVIOUS AREA.
- FINAL GRADING AND PERMANENT STABILIZATION. PERMANENT SEEDING APPLIED.
- REMOVE ANY TEMPORARY E & S PERIMETER CONTROLS, AS SPECIFIED BY THE COUNTY.

MAINTENANCE

- ALL EROSION AND SEDIMENT CONTROL MEASURES WILL BE CHECKED WEEKLY AND AFTER EACH SIGNIFICANT RAINFALL. THE FOLLOWING AREAS WILL BE CHECKED IN PARTICULAR.
- STABILIZED AREAS WILL BE CHECKED WEEKLY TO ENSURE THAT THE GRASS SEED IS SUFFICIENT TO MINIMIZE EROSION RUNOFF.
 - THE SILT FENCE BARRIER WILL BE CHECKED REGULARLY FOR UNDERMINING OR DETERIORATION OF THE FABRIC. SEDIMENT SHALL BE REMOVED WHEN THE LEVEL OF SEDIMENT DEPOSITION REACHES HALF WAY TO THE TOP OF THE BARRIER.
 - THE SEEDED AREAS WILL BE CHECKED REGULARLY TO ENSURE THAT A GOOD STAND OF GRASS IS MAINTAINED. AREAS SHOULD BE FERTILIZED AND RE-SEEDED AS NECESSARY.
 - PERIODICALLY INSPECT AND REMOVE ACCUMULATED SILT FROM THE DIVERSION DIKES.

III - 302

**TYPICAL ORIENTATION OF
TREATMENT - 1 / VDOT EC-2
(SOIL STABILIZATION BLANKET)**

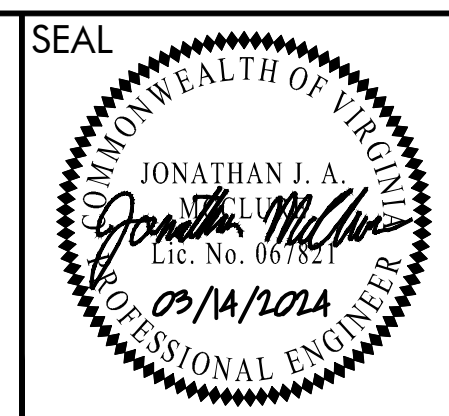


Peed & Bortz, L.L.C.
CIVIL & ENVIRONMENTAL ENGINEERS

20 MIDWAY PLAZA DRIVE - SUITE 100
CHRISTIANSBURG, VIRGINIA 24073
PHONE: (540) 394 - 3214 FAX: (540) 394 - 3215

**MOUNT SIDNEY
WATER STORAGE TANK**

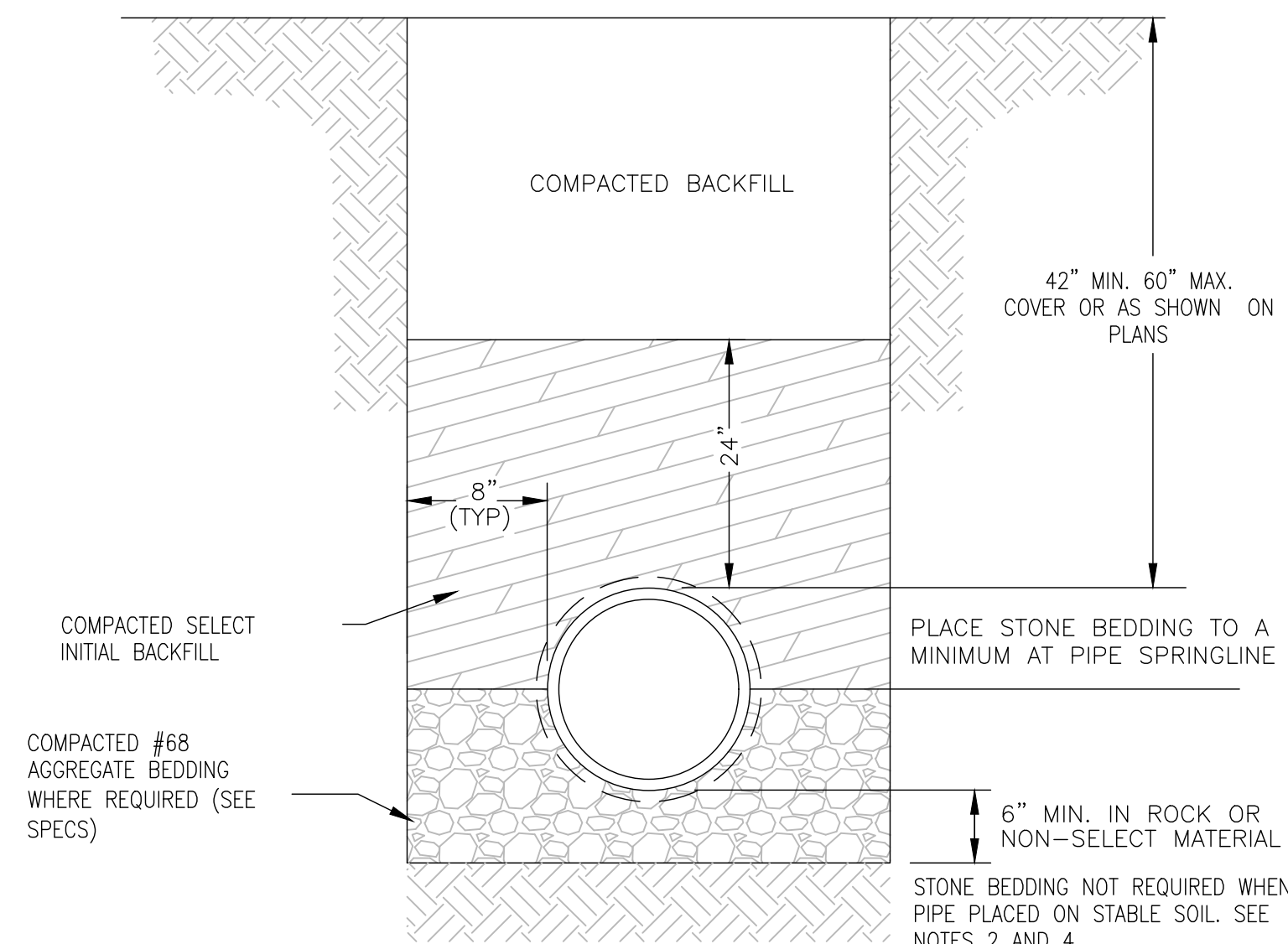
AUGUSTA COUNTY VIRGINIA



DRAWN BY: JJM
REVIEW BY: SMB
DATE: 14 MAR 2024
REVISION:

SHEET DESCRIPTION:
E&S DETAILS

D01



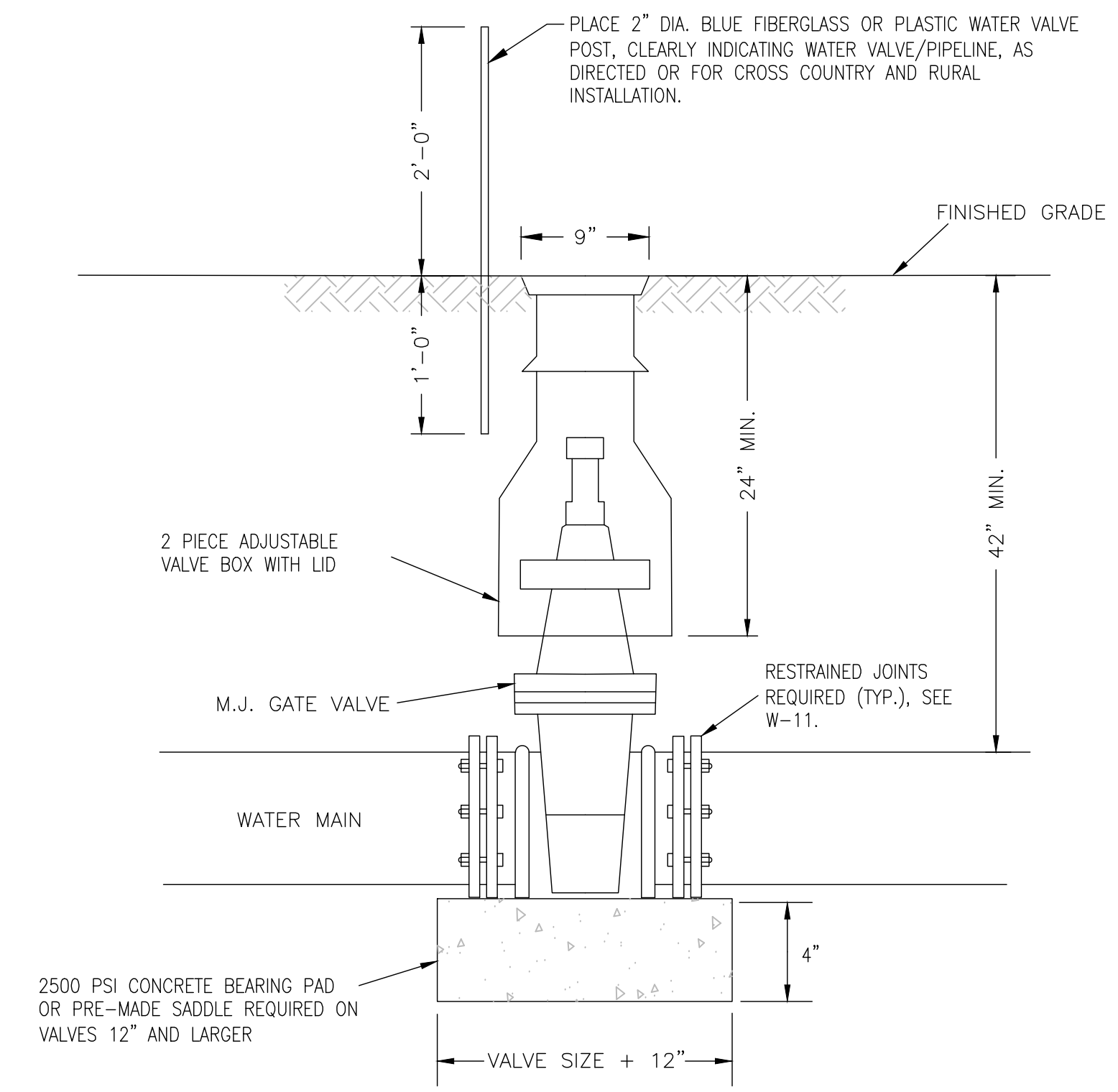
- NOTES:
1. SELECT BACKFILL SHALL BE COMPACTED IN 6" LIFTS.
 2. IF PREFERRED MATERIAL IS NOT AVAILABLE ON SITE, IT IS TO BE BROUGHT IN.
 3. WHEN SELECT BACKFILL NOT AVAILABLE - 6" OF #68 STONE REQ'D ABOVE PIPE.
 4. BELL HOLES WHERE APPLICABLE SHALL BE PROVIDED FOR EACH JOINT TO ALLOW JOINT ASSEMBLY AND TO ENSURE THAT THE PIPE BARREL WILL BE FLAT ON TRENCH BOTTOM.
 5. THIS DETAIL APPLICABLE FOR DEPTHS LESS THAN 14 FEET. SEE PLANS FOR MODIFICATIONS IN DEEPER TRENCHES.
 6. WHEN PIPE PLACED ON STABLE SOIL, SCRAPE THE BOTTOM OF THE TRENCH, REMOVE ALL STONES TO ENSURE THE PIPE DOES NOT REST ON ROCK, THEN COMPACT THE SOIL.

**AUGUSTA COUNTY SERVICE AUTHORITY
VERONA, VIRGINIA**

SCALE: NTS DRAWN BY: ACSA
DATE: FEB. 1996 REVISED: OCT. 2020

**TYPICAL DUCTILE IRON PIPE INSTALLATION
AND BEDDING REQUIREMENTS**

DRAWING NUMBER: W-1 PAGE: 1 OF 1



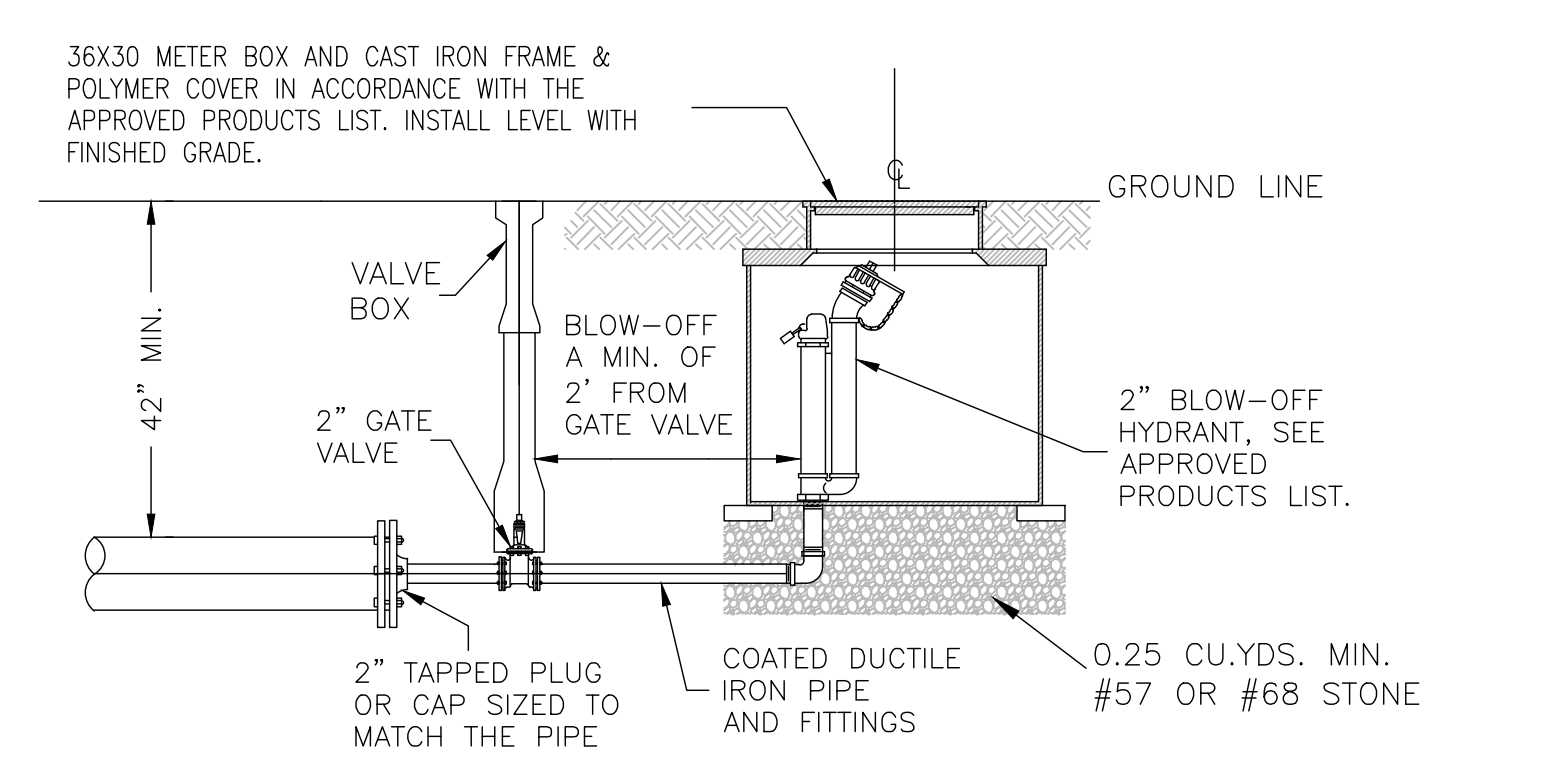
NOTE:
ALL VALVES 1.5" AND LARGER SHALL BE PROVIDED WITH A STANDARD 2" OPERATING NUT.

**AUGUSTA COUNTY SERVICE AUTHORITY
VERONA, VIRGINIA**

SCALE: NTS DRAWN BY: ACSA
DATE: FEB. 1996 REVISED: NOV. 2020

TYPICAL GATE VALVE INSTALLATION

DRAWING NUMBER: W-5 PAGE: 1 OF 1



NOTE:
IF DRAIN HOLE WILL BE BELOW GROUND WATER LEVELS, CONTRACTOR SHALL CONSULT ON-SITE REPRESENTATIVE PRIOR TO INSTALLATION.

**AUGUSTA COUNTY SERVICE AUTHORITY
VERONA, VIRGINIA**

SCALE: NTS DRAWN BY: ACSA
DATE: NOV. 2020 REVISED:

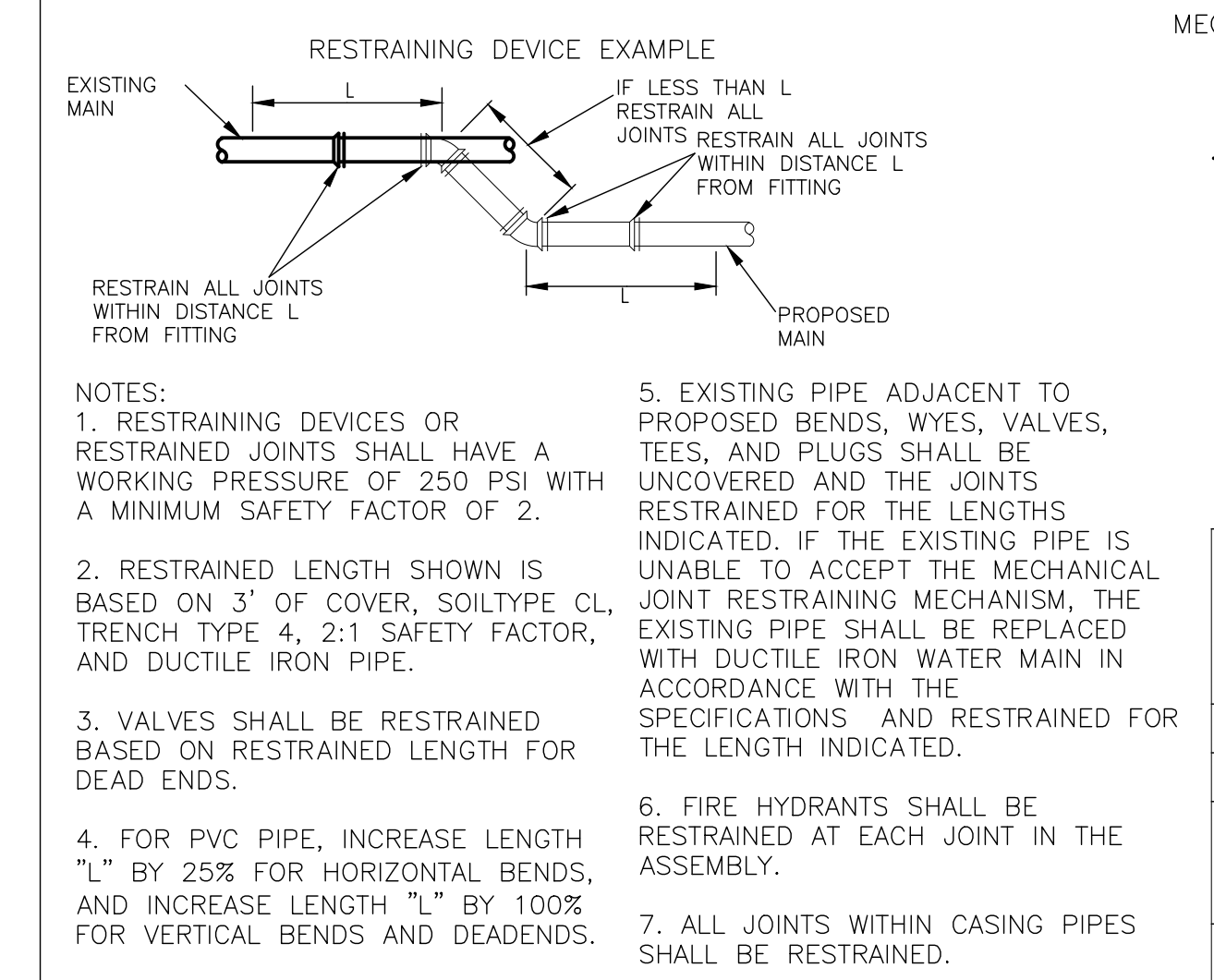
**TYPICAL BLOW-OFF ASSEMBLY
AT END OF GATE VALVE OR PIPE**

DRAWING NUMBER: W-3A PAGE: 1 OF 1

MINIMUM LENGTH OF PIPE WITH RESTRAINED JOINTS (L) IN FEET FOR DUCTILE IRON PIPE (SEE NOTE 4)

PIPE SIZE	TEST PRESSURE 200 PSI								DEAD END	TEE OR WYE
	HORIZONTAL				VERTICAL					
4"	10	10	10	18	10	10	17	NOT ALLOWED	29'	10'
6"	10	10	10	25	10	12	25	"	41'	10'
8"	10	10	14	33	10	16	32	"	54'	14'
10"	10	10	16	40	10	19	39	"	65'	16'
12"	10	10	19	47	11	22	46	"	77'	19'
14"	10	11	22	54	13	25	53	"	89'	22'
16"	10	12	25	61	14	29	60	"	101'	25'
18"	10	13	28	67	16	32	67	"	112'	28'
20"	10	15	31	74	17	35	73	"	124'	31'
24"	10	17	36	86	20	41	86	"	146'	36'

PIPE SIZE	TEST PRESSURE 250 PSI								DEAD END	TEE OR WYE
	HORIZONTAL				VERTICAL					
4"	10	10	10	10	10	10	22	NOT ALLOWED	36'	10'
6"	10	10	13	31	10	15	31	"	51'	13'
8"	10	10	17	41	10	19	40	"	68'	17'
10"	10	10	21	50	12	23	49	"	81'	21'
12"	10	12	24	59	14	28	58	"	97'	24'
14"	10	13	28	67	16	32	66	"	111'	28'
16"	10	15	31	76	18	36	75	"	126'	31'
18"	10	17	35	84	20	40	83	"	140'	35'
20"	10	18	38	92	22	44	91	"	155'	38'
24"	11	21	45	108	26	52	108	"	183'	45'



**AUGUSTA COUNTY SERVICE AUTHORITY
VERONA, VIRGINIA**

SCALE: NTS DRAWN BY: ACSA
DATE: AUG. 2004 REVISED: NOV. 2020

TYPICAL RESTRAINING DEVICE

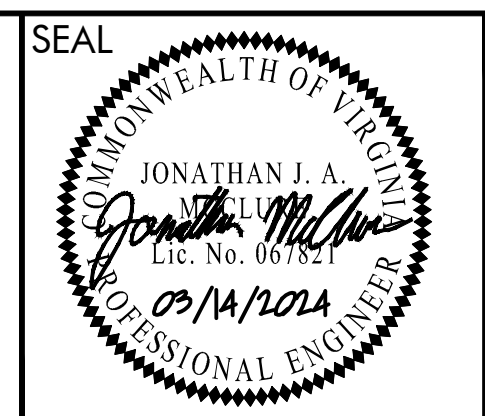
DRAWING NUMBER: W-11 PAGE: 1 OF 1

Peed & Bortz, L.L.C.
CIVIL & ENVIRONMENTAL ENGINEERS

20 MIDWAY PLAZA DRIVE - SUITE 100
CHRISTIANSBURG, VIRGINIA 24073
PHONE: (540) 394 - 3214 FAX: (540) 394 - 3215

**MOUNT SIDNEY
WATER STORAGE TANK**

AUGUSTA COUNTY VIRGINIA



DRAWN BY: JJM
REVIEW BY: SMB
DATE: 14 MAR 2024
REVISION:

SHEET DESCRIPTION:
STANDARD DETAILS

D02