

CONNECT PIPE OR COPPER TUBING TO OUTLET TO EXTEND UP 6". USE FITTINGS AS REQUIRED. PROVIDE SCREENED, DOWNWARD-FACING ELBOW AND PIPE.

FRAME AND COVER (LABELED WATER) SHALL BE BOLTED TO THE MANHOLE USING ZINC COATED $\frac{3}{4}$ " WEDGE ANCHORS OR ZINC COATED FLUSH DROP IN STYLE ANCHORS WITH $\frac{3}{4}$ " STAINLESS STEEL ALL THREAD.

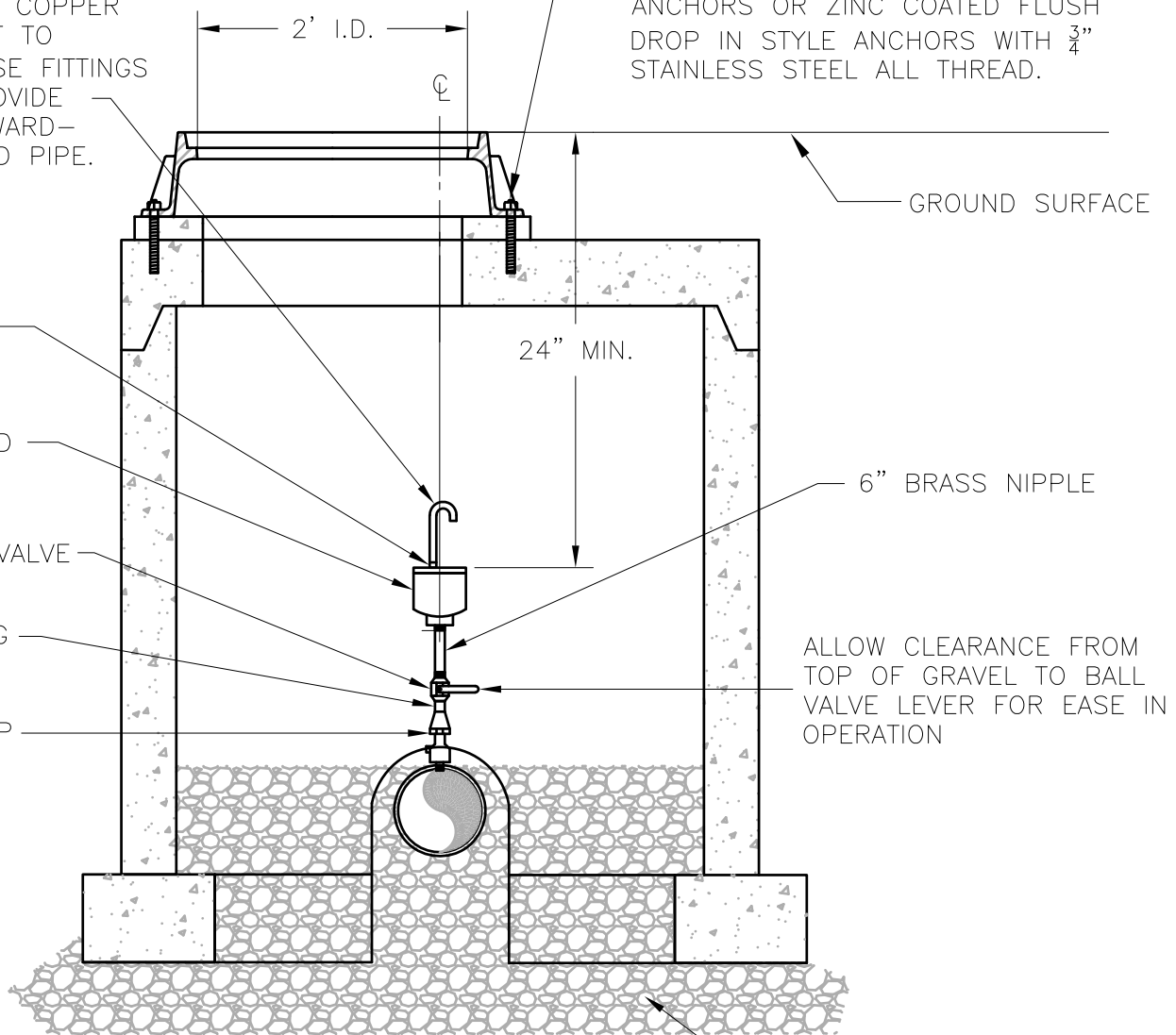
THREADED OUTLET

AIR RELEASE VALVE AS DETAILED IN SPECIFICATIONS

1" BRONZE BALL VALVE

1" COPPER TUBING

CORPORATION STOP



ALLOW CLEARANCE FROM TOP OF GRAVEL TO BALL VALVE LEVER FOR EASE IN OPERATION

#68 STONE TO TOP OF PIPE (SANDSTONE REQUIRED WHERE CONTACT WITH COPPER IS POSSIBLE)

NOTES:

1. SIZE OF AIR RELEASE VALVE AND ORIFICE AS SPECIFIED.
2. VALVE SHALL BE HOUSED IN A DOG-HOUSE MANHOLE WITH A 4' INSIDE DIAMETER. FLAT TOP SHALL BE TRAFFIC RATED (H20).
3. THIS DETAIL SHALL NOT BE USED IN AREAS OF HIGH GROUNDWATER. SHOULD EVIDENCE OF HIGH GROUNDWATER BE FOUND DURING CONSTRUCTION, USE 1"x6" NIPPLES TO RAISE THE ELEVATION OF THE DOWNWARD FACING ELBOW AND PIPE.

**AUGUSTA COUNTY SERVICE AUTHORITY
VERONA, VIRGINIA**

SCALE: NTS

DRAWN BY: ACSA

DATE: FEB. 1996

REVISED: APRIL 2021

**AIR RELEASE VALVE FOR DEEP OR STREET
INSTALLATION**

DRAWING NUMBER: W-4B

PAGE: 1 OF 1