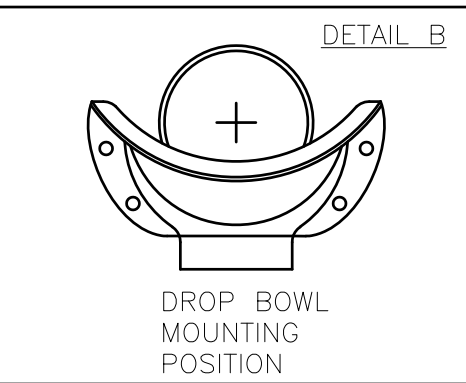
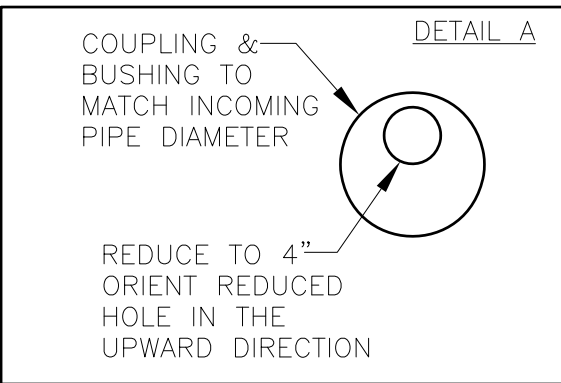
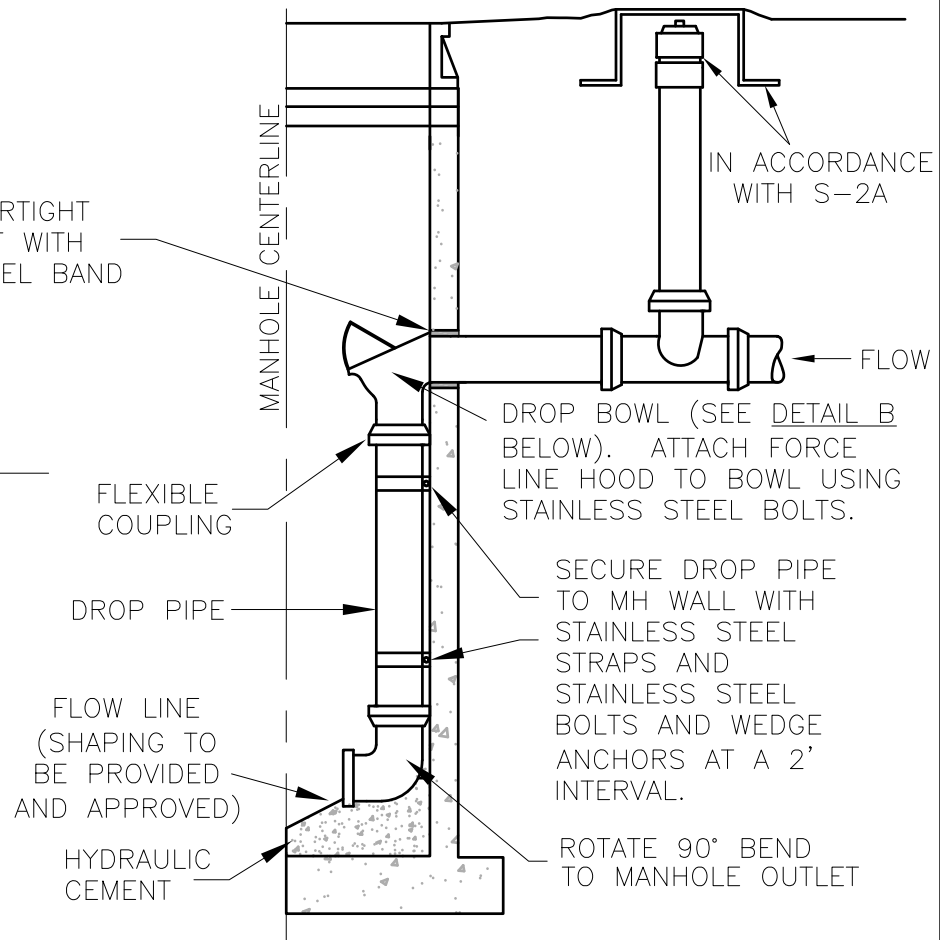
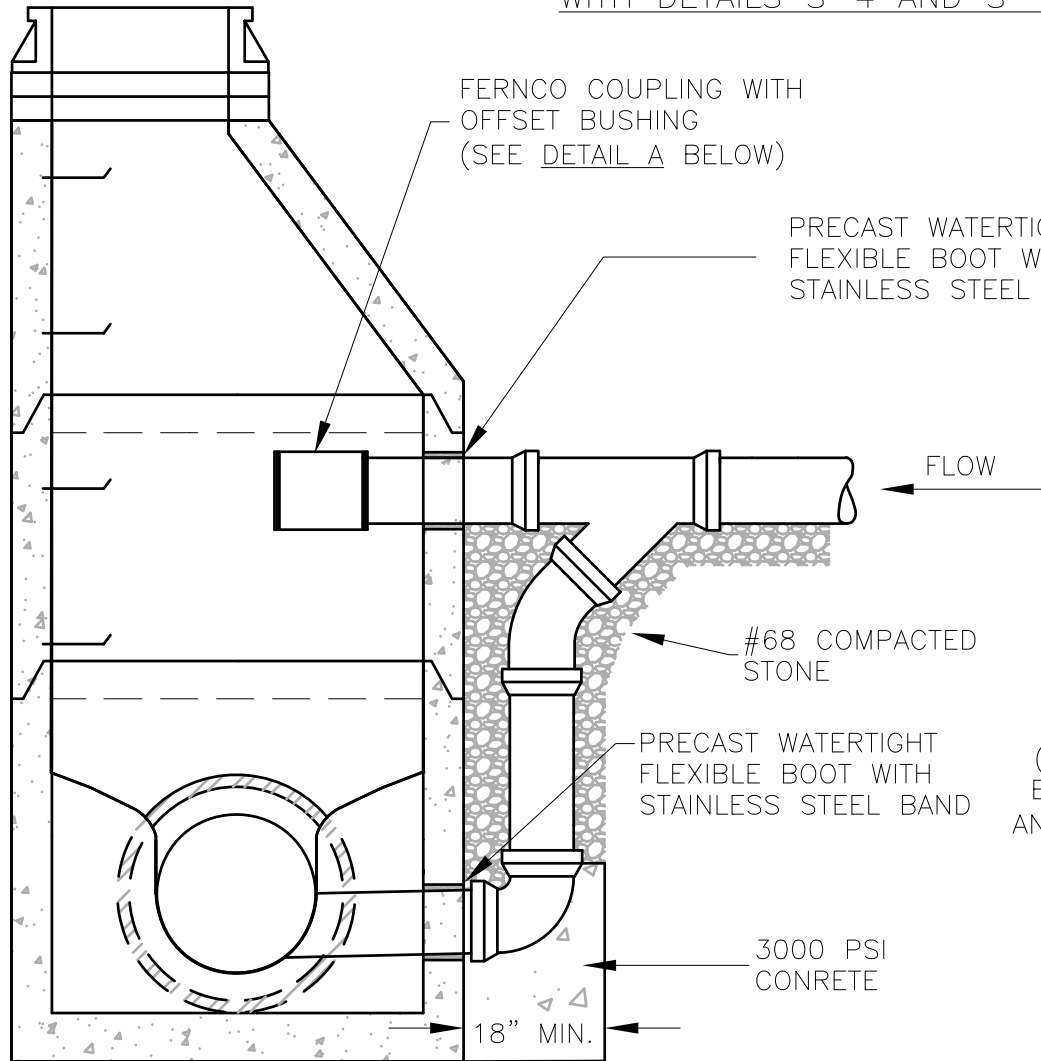


EXTERIOR DROP CONNECTION
DETAIL FOR PIPE 8" OR GREATER

PRECAST MANHOLE AND FRAME &
COVER SHALL BE IN ACCORDANCE
WITH DETAILS S-4 AND S-7

INTERIOR DROP CONNECTION DETAIL FOR
PIPE 6", 4", OR AS APPROVED BY ACSA



**AUGUSTA COUNTY SERVICE AUTHORITY
VERONA, VIRGINIA**

SCALE: NTS	DRAWN BY: ACSA
DATE: FEB. 1996	REVISED: FEB. 2021
TYPICAL PRECAST MANHOLE WITH DROP CONNECTION	
DRAWING NUMBER: S-5	PAGE: 1 OF 1