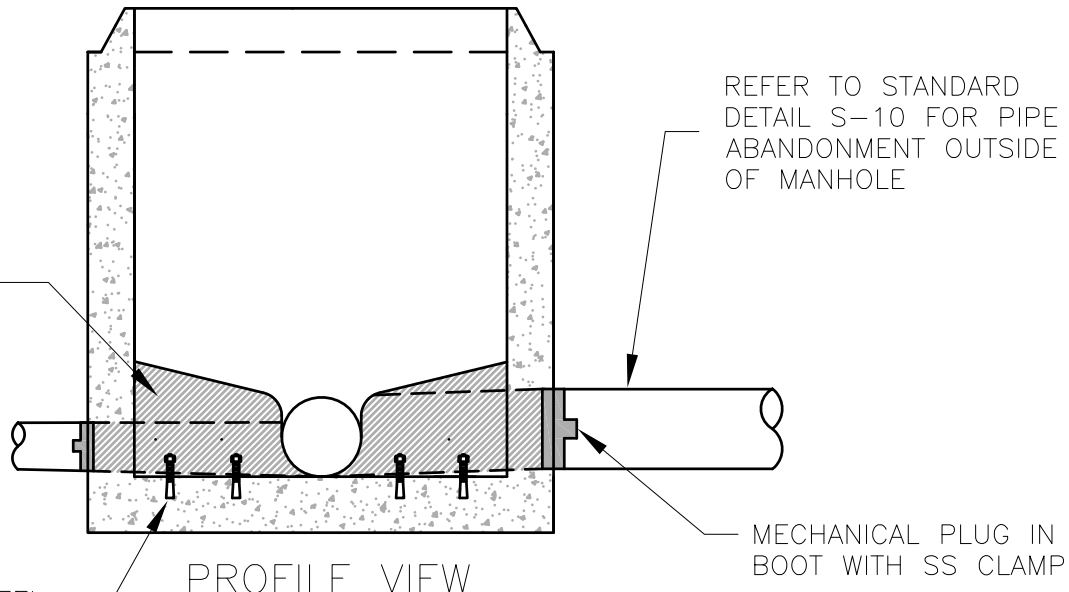


FILL ABANDONED INVERTS WITH 3000 PSI CONCRETE. MATCH EXISTING BENCH AND TROUGH GRADES.

2 - 1/2" X 5 1/2" STAINLESS STEEL WEDGE ANCHORS TYPICAL AT ALL LOCATIONS.

BONDING AGENT REQUIRED AT ALL LOCATIONS.

PLAN VIEW



FILL ABANDONED INVERTS WITH 3000 PSI CONCRETE. MATCH EXISTING BENCH AND TROUGH GRADES.

REFER TO STANDARD DETAIL S-10 FOR PIPE ABANDONMENT OUTSIDE OF MANHOLE

MECHANICAL PLUG IN BOOT WITH SS CLAMP

PROFILE VIEW

1" X 5 1/2" STAINLESS STEEL WEDGE ANCHORS WITH NUTS

AUGUSTA COUNTY SERVICE AUTHORITY VERONA, VIRGINIA	
SCALE: NTS	DRAWN BY: ACSA
DATE: APRIL 2021	REVISED:
TYPICAL MANHOLE INVERT ABANDONMENT	
DRAWING NUMBER: S-11	PAGE: 1 OF 1